

TENTATIVE TOSHIBA MOS DIGITAL INTEGRATED CIRCUIT SILICON GATE CMOS

## 1-GBIT (128M × 8 BITS) CMOS NAND E<sup>2</sup>PROM (128M BYTE SmartMedia™)

### DESCRIPTION

The TH58NS100 is a single 3.3-V 1-Gbit (1,107,296,256) bit NAND Electrically Erasable and Programmable Read-Only Memory (NAND E<sup>2</sup>PROM) organized as 528 bytes × 32 pages × 8192 blocks. The device has a 528-byte static register which allows program and read data to be transferred between the register and the memory cell array in 528-byte increments. The Erase operation is implemented in a single block unit (16 Kbytes + 512 bytes: 528 bytes × 32 pages).

The TH58NS100 is a serial-type memory device which utilizes the I/O pins for both address and data input/output as well as for command inputs. The Erase and Program operations are automatically executed.

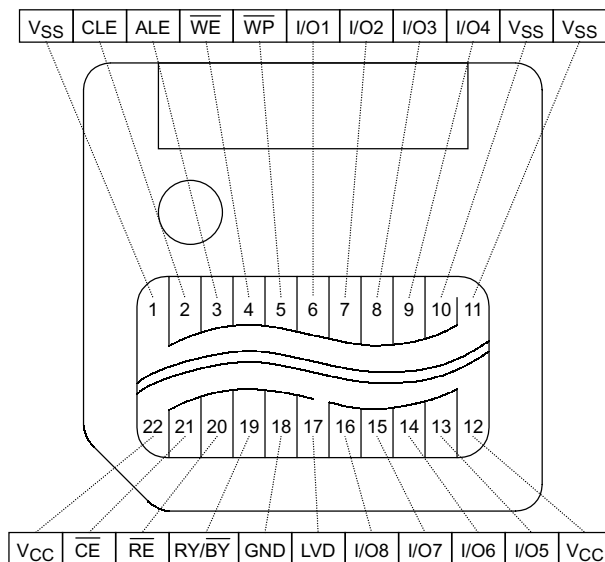
The TH58NS100DC is a SmartMedia™ with ID and each device has 128 bit unique ID number embedded in the device. This unique ID number is applicable to image files, music files, electronic books, and so on where copyright protection is required.

The data stored in the TH58NS100DC needs to comply with the data format standardized by the SSFDC Forum in order to maintain compatibility with other SmartMedia™ systems.

### FEATURES


- Organization
  - Memory cell array 528 × 128K × 8 × 2
  - Register 528 × 8
  - Page size 528 bytes
  - Block size (16K + 512) bytes
- Modes
  - Read, Reset, Auto Page Program, Auto Block Erase, Status Read
- Mode control
  - Serial input/output, Command control
- Complies with the SmartMedia™ Electrical Specification and Data Format Specification issued by the SSFDC Forum
- Power supply VCC = 3.3 V ± 0.3 V
- Program/Erase Cycles 1E5 cycle (with ECC)
- Access time
  - Cell array-register 25 μs max
  - Serial Read cycle 50 ns min
- Operating current
  - Read (50-ns cycle) 10 mA typ.
  - Program (avg.) 10 mA typ.
  - Erase (avg.) 10 mA typ.
  - Standby 100 μA max
- Package
  - FDC-22C (Weight: 2.2 g typ.)

### PIN ASSIGNMENT (TOP VIEW)



### PIN NAMES

I/O1 to I/O8	I/O port
CE	Chip enable
WE	Write enable
RE	Read enable
CLE	Command latch enable
ALE	Address latch enable
WP	Write protect
RY/BY	Ready/Busy
GND	Ground Input
LVD	Low Voltage Detect
VCC	Power supply
VSS	Ground

 SmartMedia™ is a trademark of Toshiba Corporation.

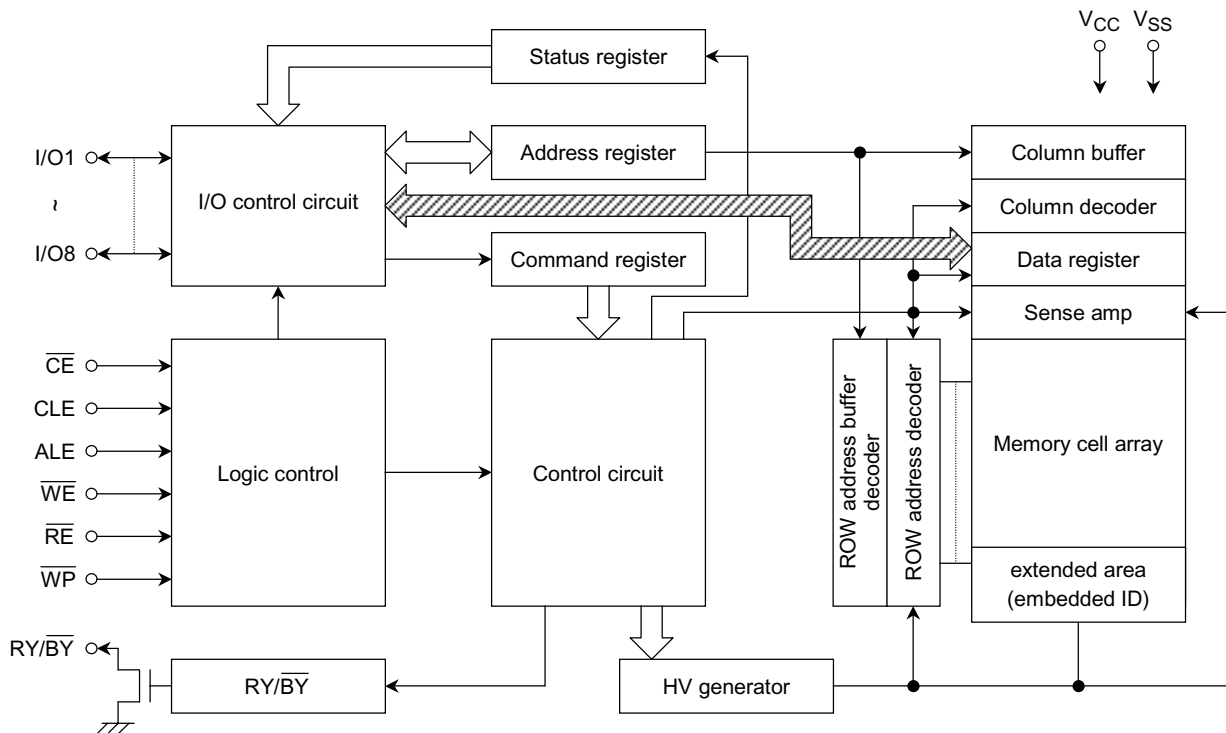
000707EBA2

• TOSHIBA is continually working to improve the quality and reliability of its products. Nevertheless, semiconductor devices in general can malfunction or fail due to their inherent electrical sensitivity and vulnerability to physical stress. It is the responsibility of the buyer, when utilizing TOSHIBA products, to comply with the standards of safety in making a safe design for the entire system, and to avoid situations in which a malfunction or failure of such TOSHIBA products could cause loss of human life, bodily injury or damage to property.

In developing your designs, please ensure that TOSHIBA products are used within specified operating ranges as set forth in the most recent TOSHIBA products specifications. Also, please keep in mind the precautions and conditions set forth in the "Handling Guide for Semiconductor Devices," or "TOSHIBA Semiconductor Reliability Handbook" etc..

• The TOSHIBA products listed in this document are intended for usage in general electronics applications (computer, personal equipment, office equipment, measuring equipment, industrial robotics, domestic appliances, etc.). These TOSHIBA products are neither intended nor warranted for usage in equipment that requires extraordinarily high quality and/or reliability or a malfunction or failure of which may cause loss of human life or bodily injury ("Unintended Usage"). Unintended Usage include atomic energy control instruments, airplane or spaceship instruments, transportation instruments, traffic signal instruments, combustion control instruments, medical instruments, all types of safety devices, etc.. Unintended Usage of TOSHIBA products listed in this document shall be made at the customer's own risk.

## BLOCK DIAGRAM



## ABSOLUTE MAXIMUM RATINGS

SYMBOL	PARAMETER	RATING	UNIT
V <sub>CC</sub>	Power Supply Voltage	-0.6 to 4.6	V
V <sub>IN</sub>	Input Voltage	-0.6 to 4.6	V
V <sub>I/O</sub>	Input/Output Voltage	-0.6 V to V <sub>CC</sub> + 0.3 V (≤ 4.6 V)	V
P <sub>D</sub>	Power Dissipation	0.3	W
T <sub>stg</sub>	Storage Temperature	-20 to 65	°C
T <sub>opr</sub>	Operating Temperature	0 to 55	°C

## CAPACITANCE \*(Ta = 25°C, f = 1 MHz)

SYMBOL	PARAMETER	CONDITION	MIN	MAX	UNIT
C <sub>IN</sub>	Input	V <sub>IN</sub> = 0 V	—	50	pF
C <sub>OUT</sub>	Output	V <sub>OUT</sub> = 0 V	—	50	pF

\* This parameter is periodically sampled and is not tested for every device.

000707EBA2

- The products described in this document are subject to the foreign exchange and foreign trade laws.
- The information contained herein is presented only as a guide for the applications of our products. No responsibility is assumed by TOSHIBA CORPORATION for any infringements of intellectual property or other rights of the third parties which may result from its use. No license is granted by implication or otherwise under any intellectual property or other rights of TOSHIBA CORPORATION or others.
- The information contained herein is subject to change without notice.

**VALID BLOCKS (1)**

SYMBOL	PARAMETER	MIN	TYP.	MAX	UNIT
$N_{VB}$	Number of Valid Blocks	8032	—	8192	Blocks

(1) The TH58NS100 occasionally contains unusable blocks. Refer to Application Note (14) toward the end of this document.

**RECOMMENDED DC OPERATING CONDITIONS**

SYMBOL	PARAMETER	MIN	TYP.	MAX	UNIT
$V_{CC}$	Power Supply Voltage	3.0	3.3	3.6	V
$V_{IH}$	High Level input Voltage	2.0	—	$V_{CC} + 0.3$	V
$V_{IL}$	Low Level Input Voltage	-0.3*	—	0.8	V

\* -2 V (pulse width lower than 20 ns)

**DC CHARACTERISTICS ( $T_a = 0^\circ$  to  $55^\circ\text{C}$ ,  $V_{CC} = 3.3\text{ V} \pm 0.3\text{ V}$ )**

SYMBOL	PARAMETER	CONDITION	MIN	TYP.	MAX	UNIT
$I_{IL}$	Input Leakage Current	$V_{IN} = 0\text{ V to }V_{CC}$	—	—	$\pm 10$	$\mu\text{A}$
$I_{LO}$	Output Leakage Current	$V_{OUT} = 0.4\text{ V to }V_{CC}$	—	—	$\pm 10$	$\mu\text{A}$
$I_{CCO1}$	Operating Current (Serial Read)	$\overline{CE} = V_{IL}$ , $I_{OUT} = 0\text{ mA}$ , $t_{\text{cycle}} = 50\text{ ns}$	—	10	30	mA
$I_{CCO3}$	Operating Current (Command Input)	$t_{\text{cycle}} = 50\text{ ns}$	—	10	30	mA
$I_{CCO4}$	Operating Current (Data Input)	$t_{\text{cycle}} = 50\text{ ns}$	—	10	30	mA
$I_{CCO5}$	Operating Current (Address Input)	$t_{\text{cycle}} = 50\text{ ns}$	—	10	30	mA
$I_{CCO7}$	Programming Current	—	—	10	30	mA
$I_{CCO8}$	Erasing Current	—	—	10	30	mA
$I_{CCS1}$	Standby Current	$\overline{CE} = V_{IH}$	—	—	1	mA
$I_{CCS2}$	Standby Current	$\overline{CE} = V_{CC} - 0.2\text{ V}$	—	—	100	$\mu\text{A}$
$V_{OH}$	High Level Output Voltage	$I_{OH} = -400\ \mu\text{A}$	2.4	—	—	V
$V_{OL}$	Low Level Output Voltage	$I_{OL} = 2.1\text{ mA}$	—	—	0.4	V
$I_{OL} (RY/\overline{BY})$	Output Current of RY/ $\overline{BY}$ pin	$V_{OL} = 0.4\text{ V}$	—	8	—	mA

## AC CHARACTERISTICS AND RECOMMENDED OPERATING CONDITIONS

(Ta = 0° to 55°C, VCC = 3.3 V ± 0.3 V)

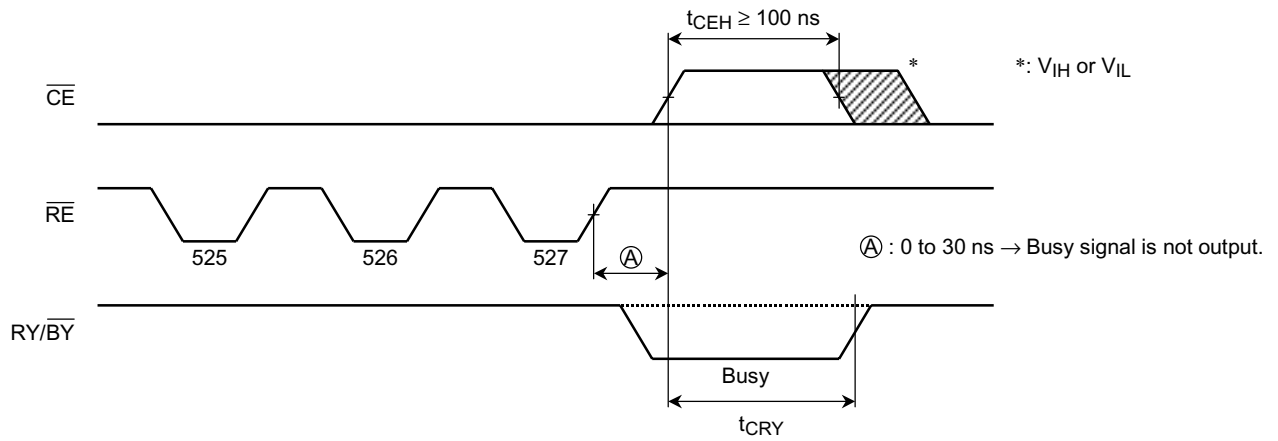
SYMBOL	PARAMETER	MIN	MAX	UNIT	NOTES
tCLS	CLE Setup Time	0	—	ns	
tCLH	CLE Hold Time	10	—	ns	
tCS	$\overline{CE}$ Setup Time	0	—	ns	
tCH	$\overline{CE}$ Hold Time	10	—	ns	
tWP	Write Pulse Width	25	—	ns	
tALS	ALE Setup Time	0	—	ns	
tALH	ALE Hold Time	10	—	ns	
tDS	Data Setup Time	20	—	ns	
tDH	Data Hold Time	10	—	ns	
tWC	Write Cycle Time	50	—	ns	
tWH	$\overline{WE}$ High Hold Time	15	—	ns	
tWW	$\overline{WP}$ High to $\overline{WE}$ Low	100	—	ns	
tRR	Ready to $\overline{RE}$ Falling Edge	20	—	ns	
tRP	Read Pulse Width	35	—	ns	
tRC	Read Cycle Time	50	—	ns	
tREA	$\overline{RE}$ Access Time (Serial Data Access)	—	35	ns	
tCEH	$\overline{CE}$ High Time for Last Address in Serial Read Cycle	100	—	ns	(2)
tREAI	$\overline{RE}$ Access Time (ID Read)	—	35	ns	
tOH	Data Output Hold Time	10	—	ns	
tRHZ	$\overline{RE}$ High to Output High Impedance	—	30	ns	
tCHZ	$\overline{CE}$ High to Output High Impedance	—	20	ns	
tREH	$\overline{RE}$ High Hold Time	15	—	ns	
tIR	Output-High-impedance-to- $\overline{RE}$ Rising Edge	0	—	ns	
tRSTO	$\overline{RE}$ Access Time (Status Read)	—	35	ns	
tCSTO	$\overline{CE}$ Access Time (Status Read)	—	45	ns	
tRHW	$\overline{RE}$ High to $\overline{WE}$ Low	0	—	ns	
tWHC	$\overline{WE}$ High to $\overline{CE}$ Low	30	—	ns	
tWHR	$\overline{WE}$ High to $\overline{RE}$ Low	30	—	ns	
tAR1	ALE Low to $\overline{RE}$ Low (ID Read)	100	—	ns	
tCR	$\overline{CE}$ Low to $\overline{RE}$ Low (ID Read)	100	—	ns	
tR	Memory Cell Array to Starting Address	—	25	μs	
tWB	$\overline{WE}$ High to Busy	—	200	ns	
tAR2	ALE Low to $\overline{RE}$ Low (Read Cycle)	50	—	ns	
tRB	$\overline{RE}$ Last Clock Rising Edge to Busy (in Sequential Read)	—	200	ns	
tCRY	$\overline{CE}$ High to Ready (When interrupted by $\overline{CE}$ in Read Mode)	—	$1 + t_r (RY/BY)$	μs	(1) (2)
tRST	Device Reset Time (Read/Program/Erase)	—	6/10/500	μs	

## AC TEST CONDITIONS

PARAMETER	CONDITION
Input level	2.4 V, 0.4 V
Input pulse rise and fall time	3 ns
Input comparison level	1.5 V, 1.5 V
Output data comparison level	1.5 V, 1.5 V
Output load	C <sub>L</sub> (100 pF) + 1 TTL

Note: (1)  $\overline{CE}$  High to Ready time depends on the pull-up resistor tied to the  $RY/\overline{BY}$  pin.  
(Refer to Application Note (9) toward the end of this document.)

(2) Sequential Read is terminated when  $t_{CEH}$  is greater than or equal to 100 ns. If the  $\overline{RE}$  to  $\overline{CE}$  delay is less than 30 ns,  $RY/\overline{BY}$  signal stays Ready.



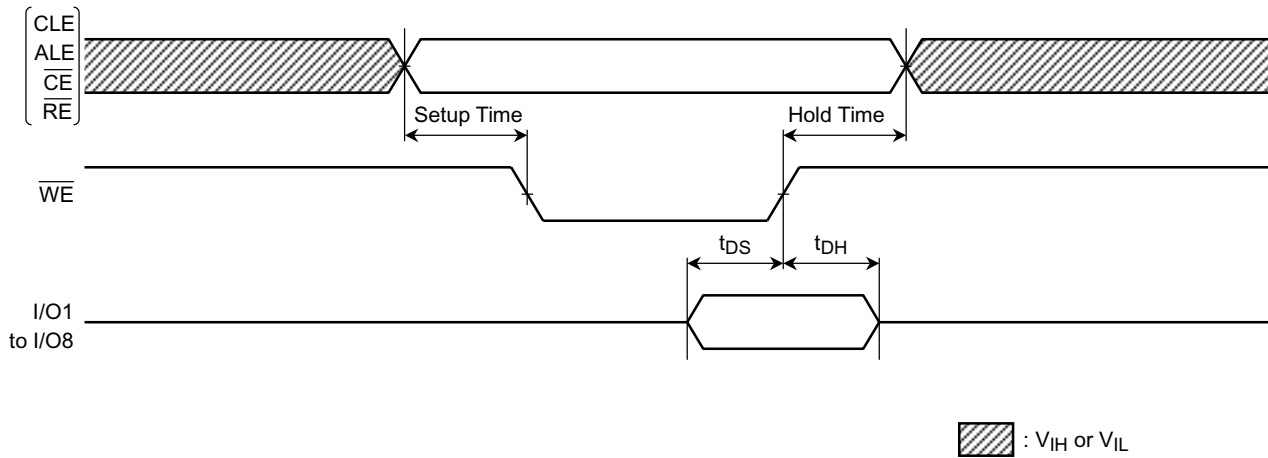
## PROGRAMMING AND ERASING CHARACTERISTICS (Ta = 0° to 55°C, VCC = 3.3 V ± 0.3 V)

SYMBOL	PARAMETER	MIN	TYP.	MAX	UNIT	NOTES
$t_{PROG}$	Programming Time	—	200	1000	$\mu s$	
$t_{DBSY}$	Dummy Busy Time for Multi Block Programming	—	2	10	$\mu s$	
$t_{MBPBSY}$	Multi Block Program Busy Time	—	200	1000	$\mu s$	
N	Number of Programming Cycles on Same Page	—	—	3		(1)
$t_{BERASE}$	Block Erasing Time	—	2	10	ms	

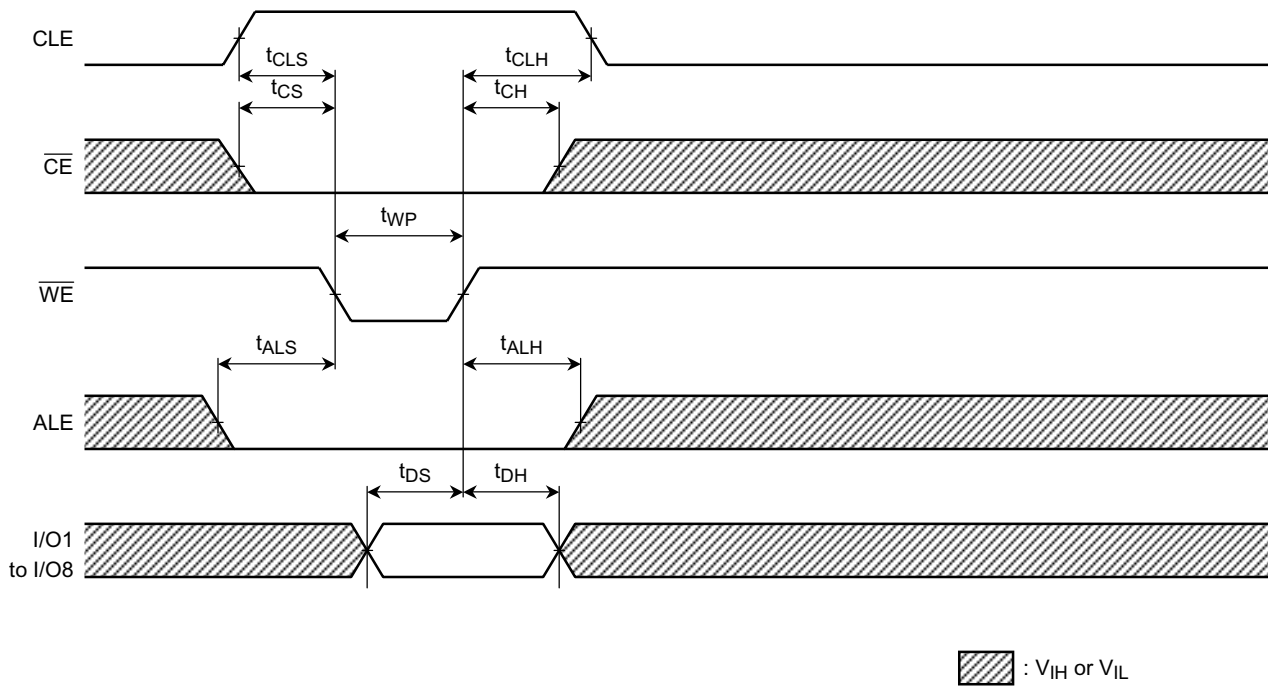
(1): Refer to Application Note (12) toward the end of this document.

**TIMING DIAGRAMS**

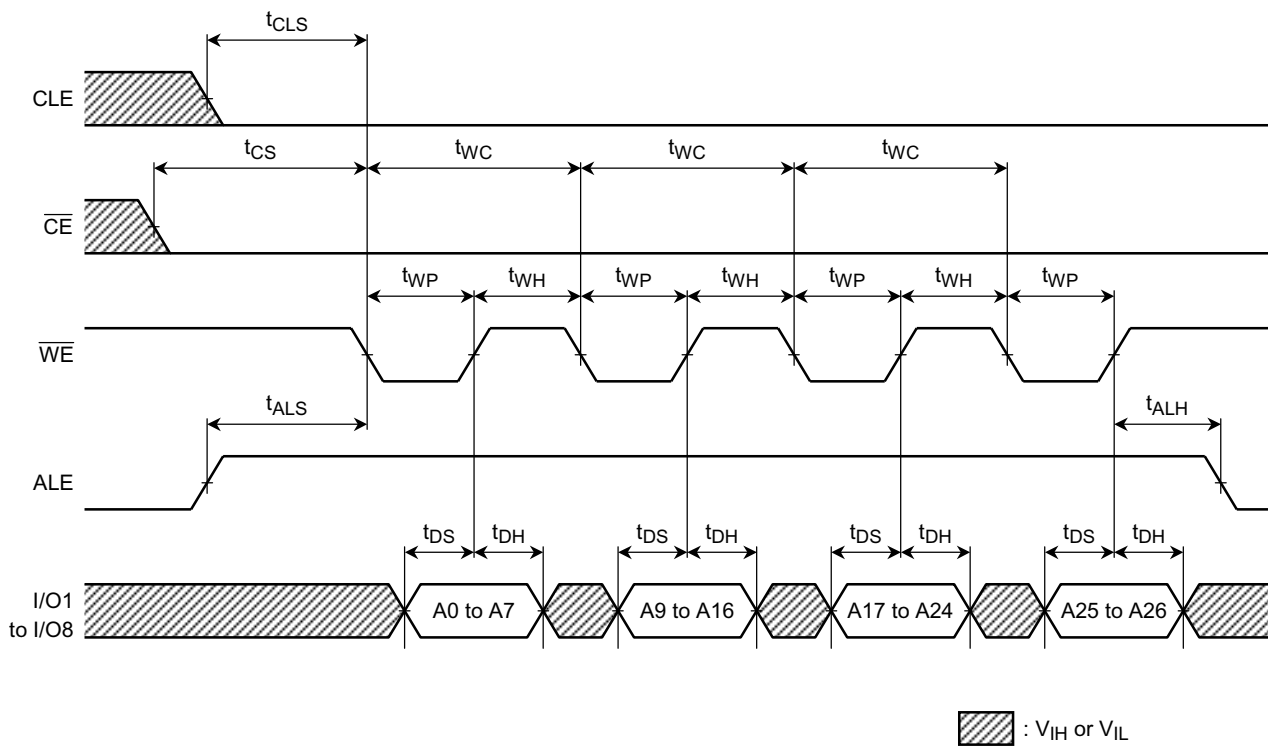
Latch Timing Diagram for Command/Address/Data



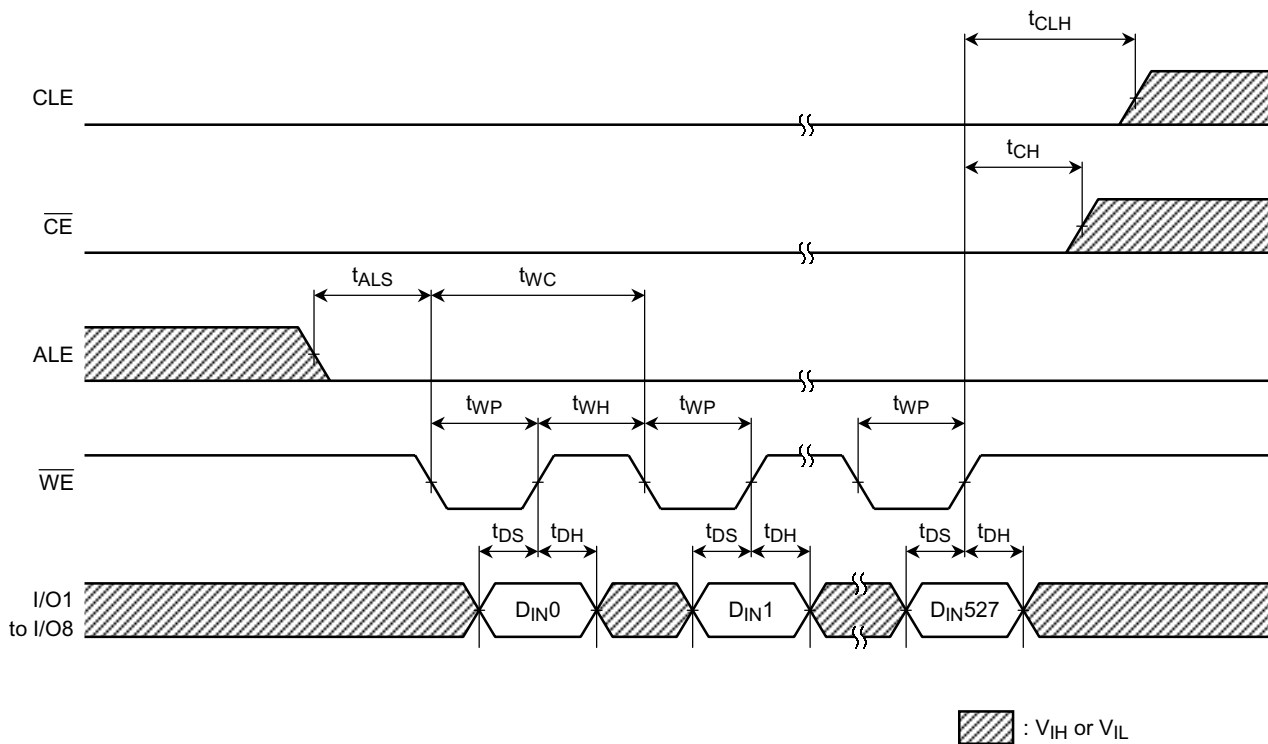
Command Input Cycle Timing Diagram



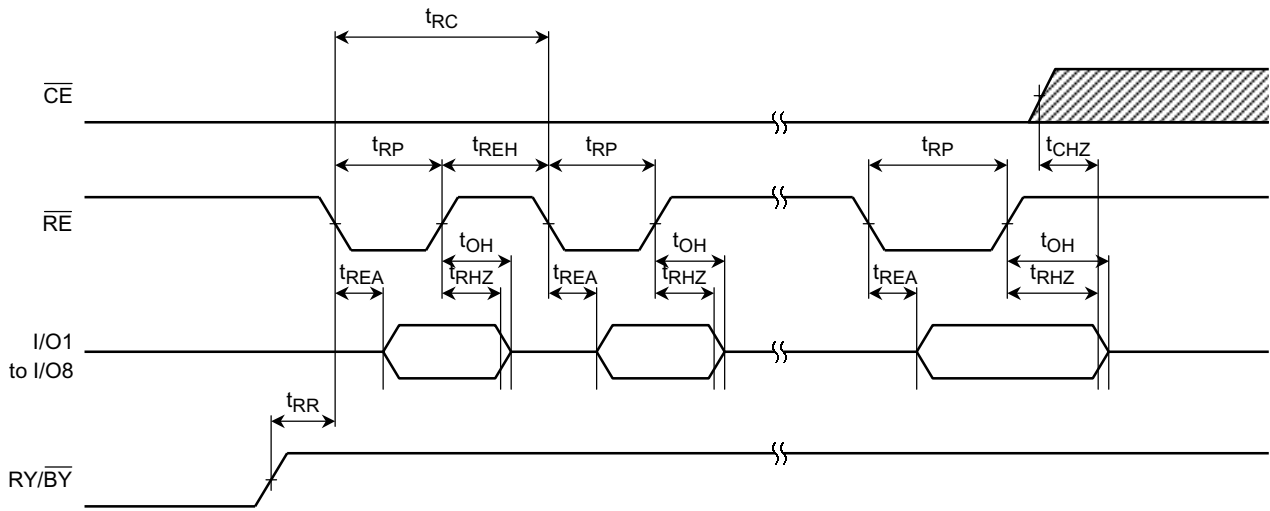
Address Input Cycle Timing Diagram



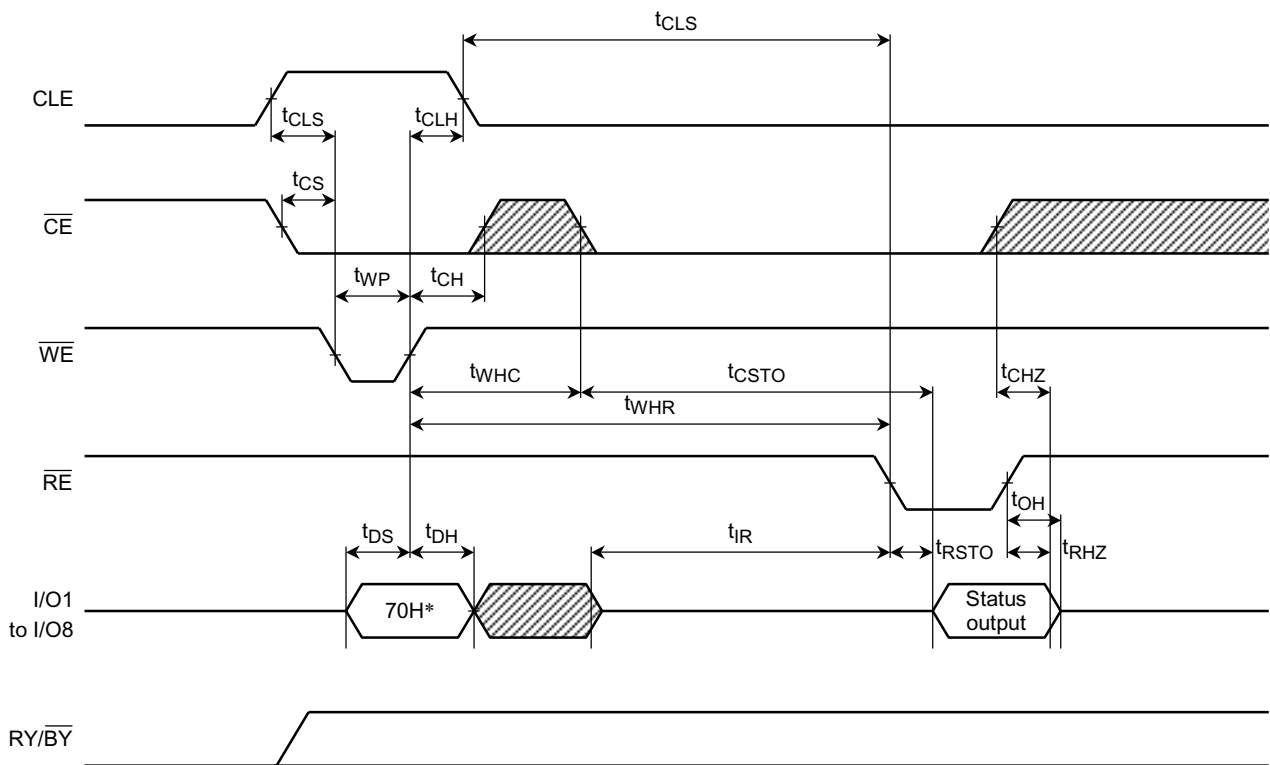
Data Input Cycle Timing Diagram



Serial Read Cycle Timing Diagram



Status Read Cycle Timing Diagram

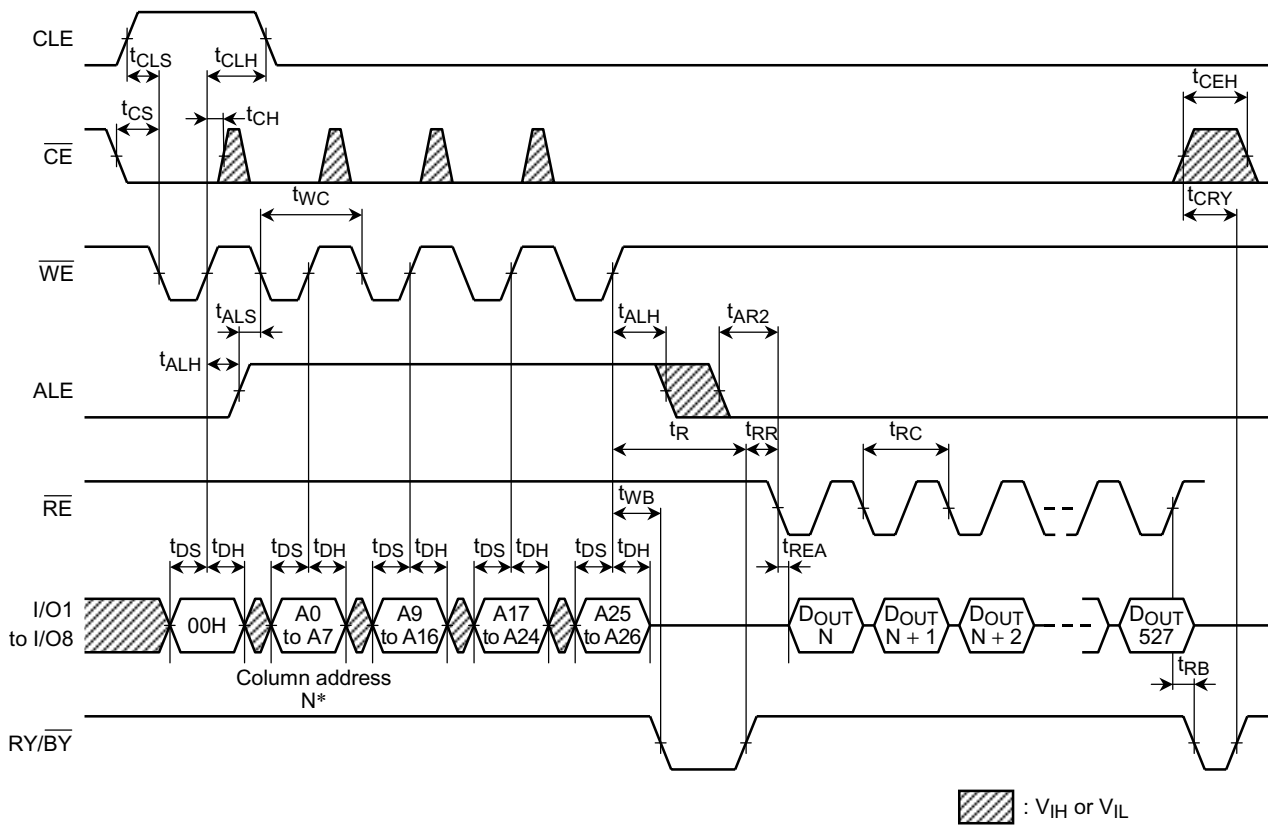


\* 70H represents the hexadecimal number

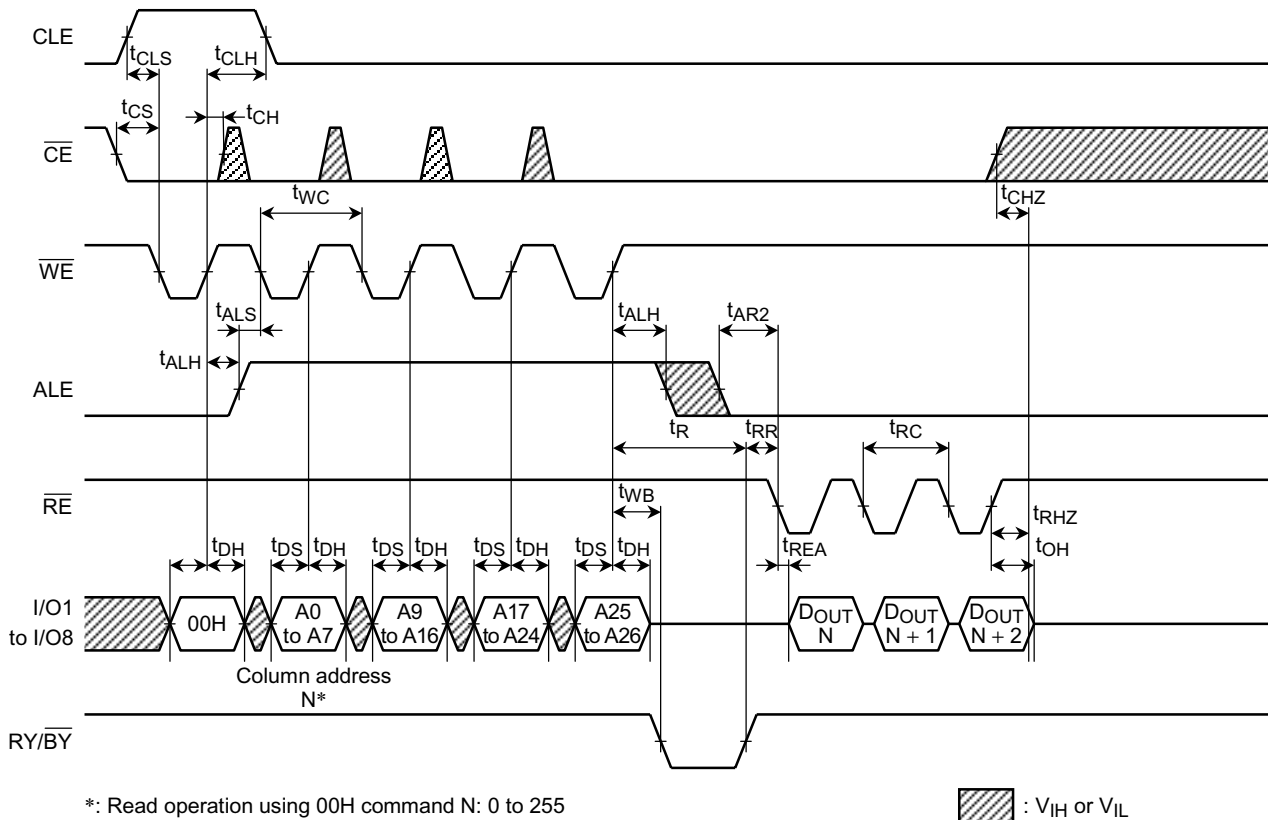
:  $V_{IH}$  or  $V_{IL}$



Read Cycle (1) Timing Diagram



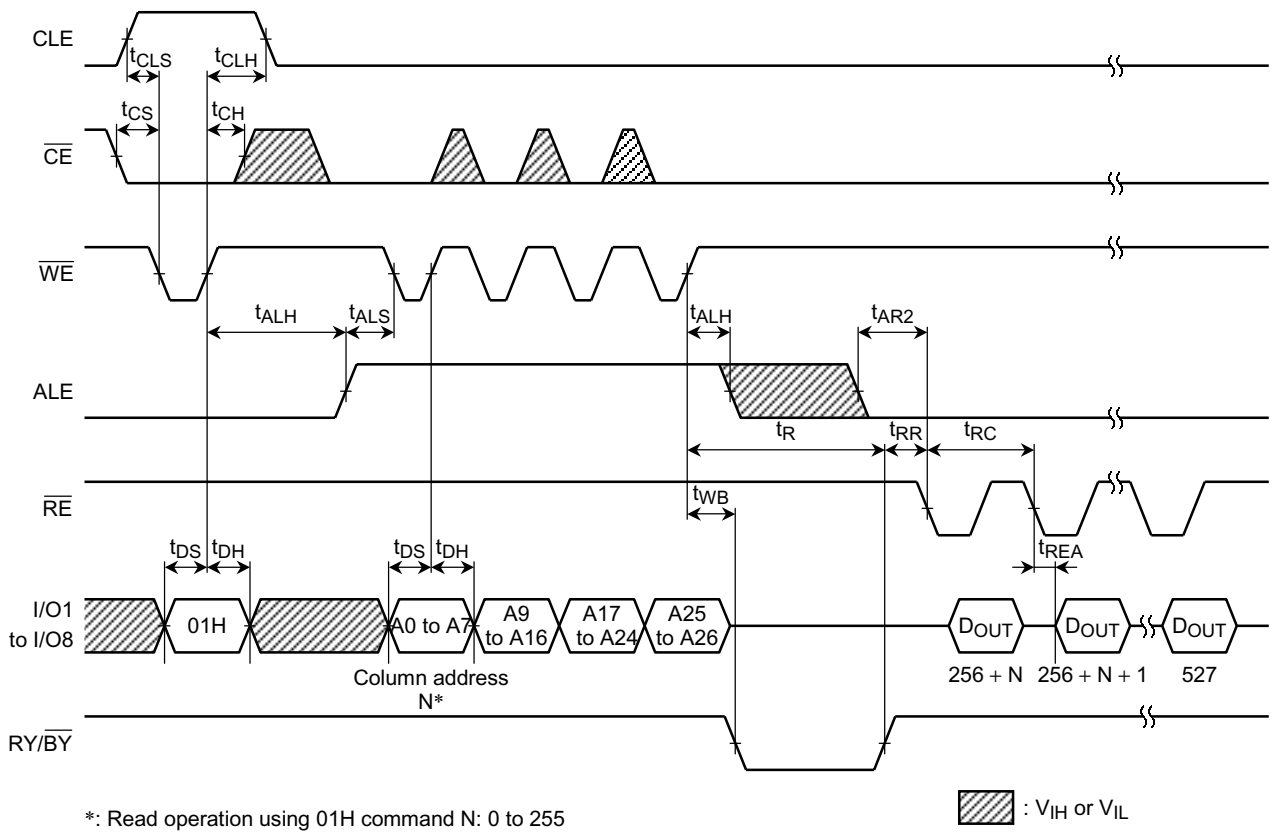
Read Cycle (1) Timing Diagram: When Interrupted by  $\overline{CE}$



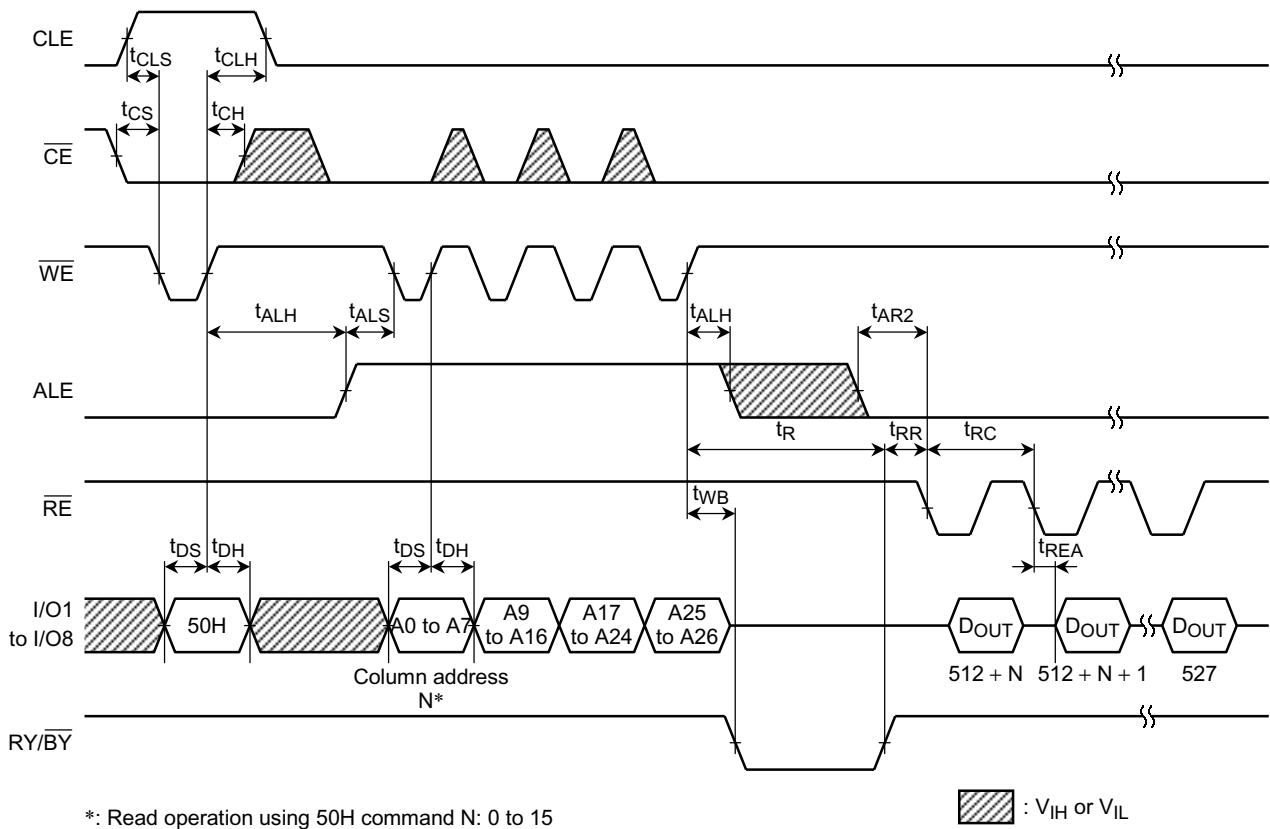
\*: Read operation using 00H command N: 0 to 255

▨ :  $V_{IH}$  or  $V_{IL}$

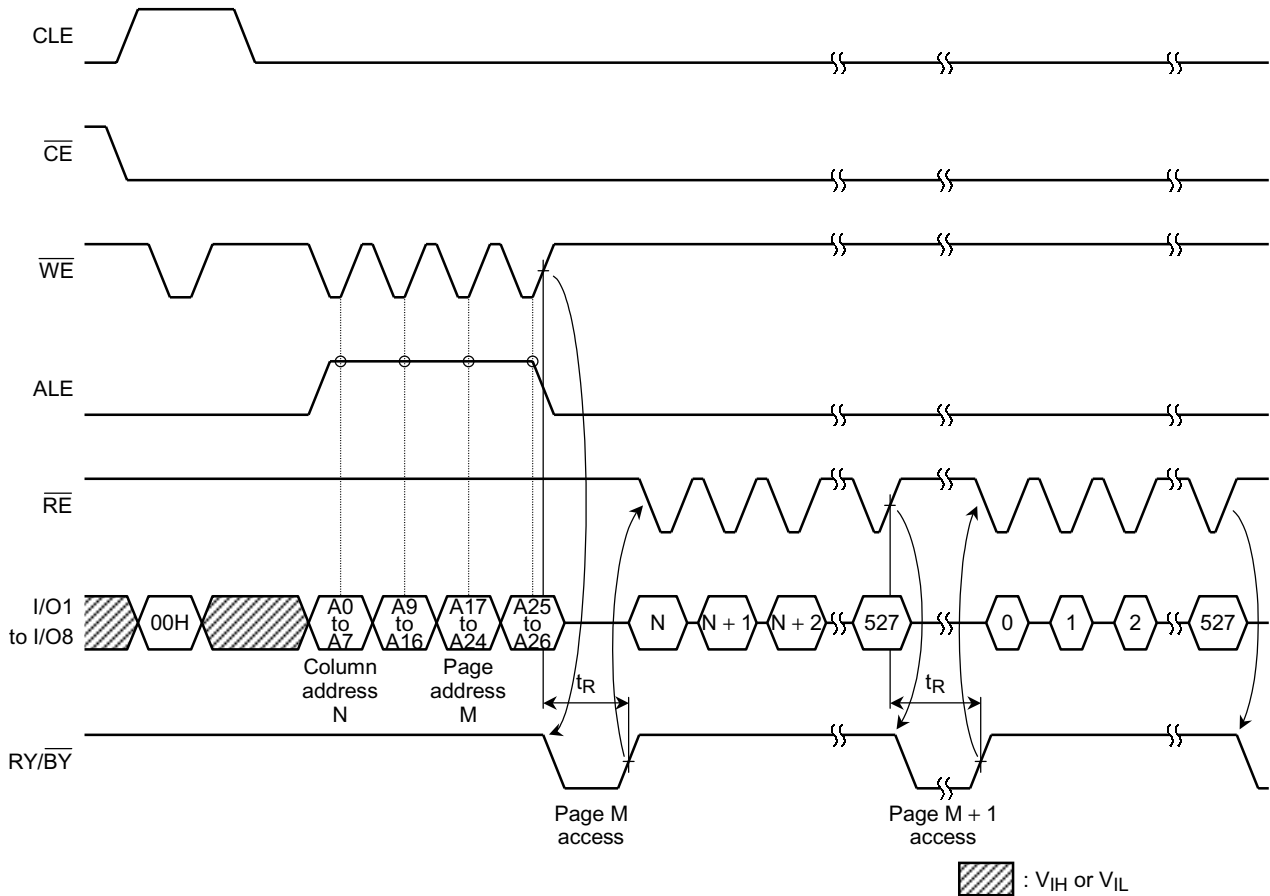
Read Cycle (2) Timing Diagram



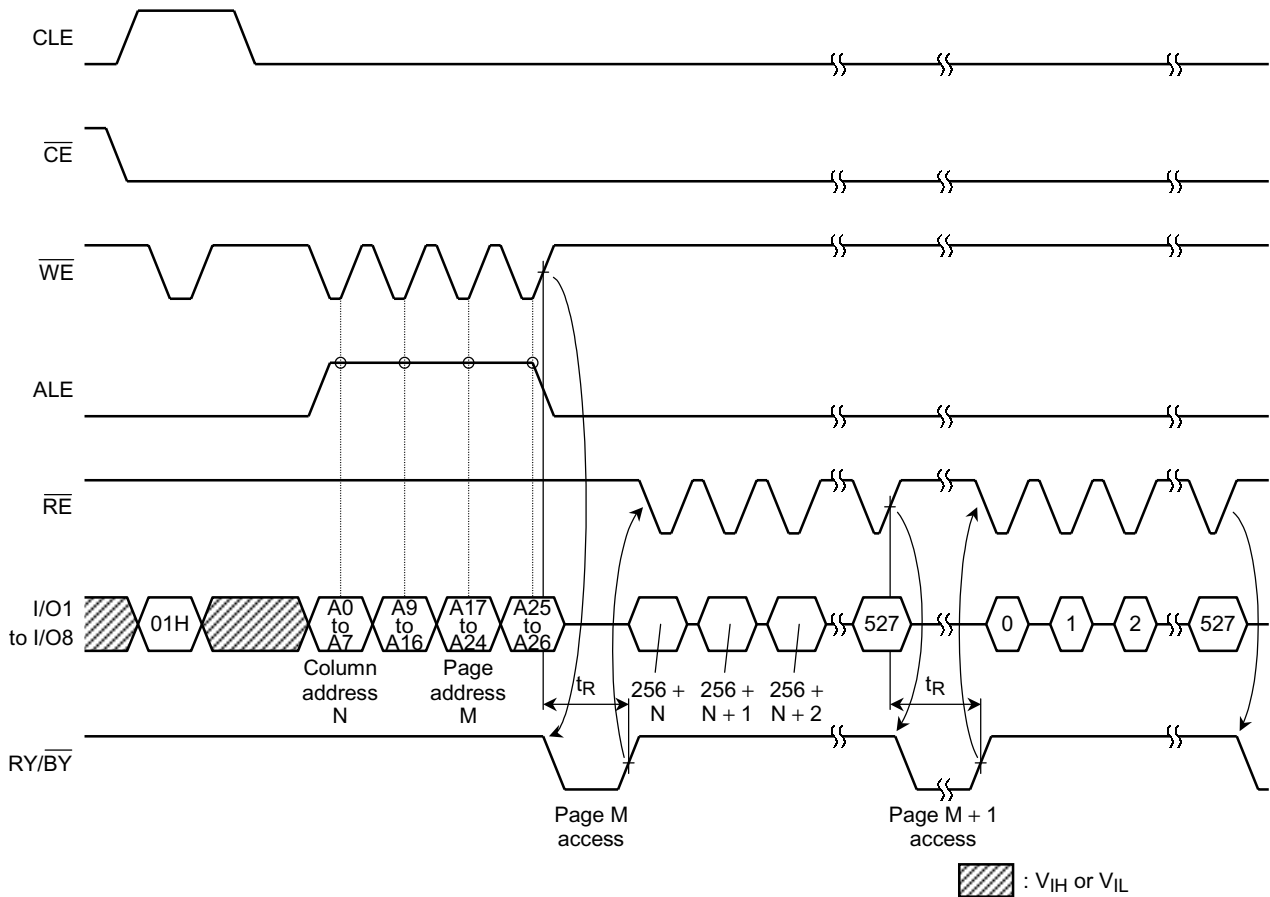
Read Cycle (3) Timing Diagram



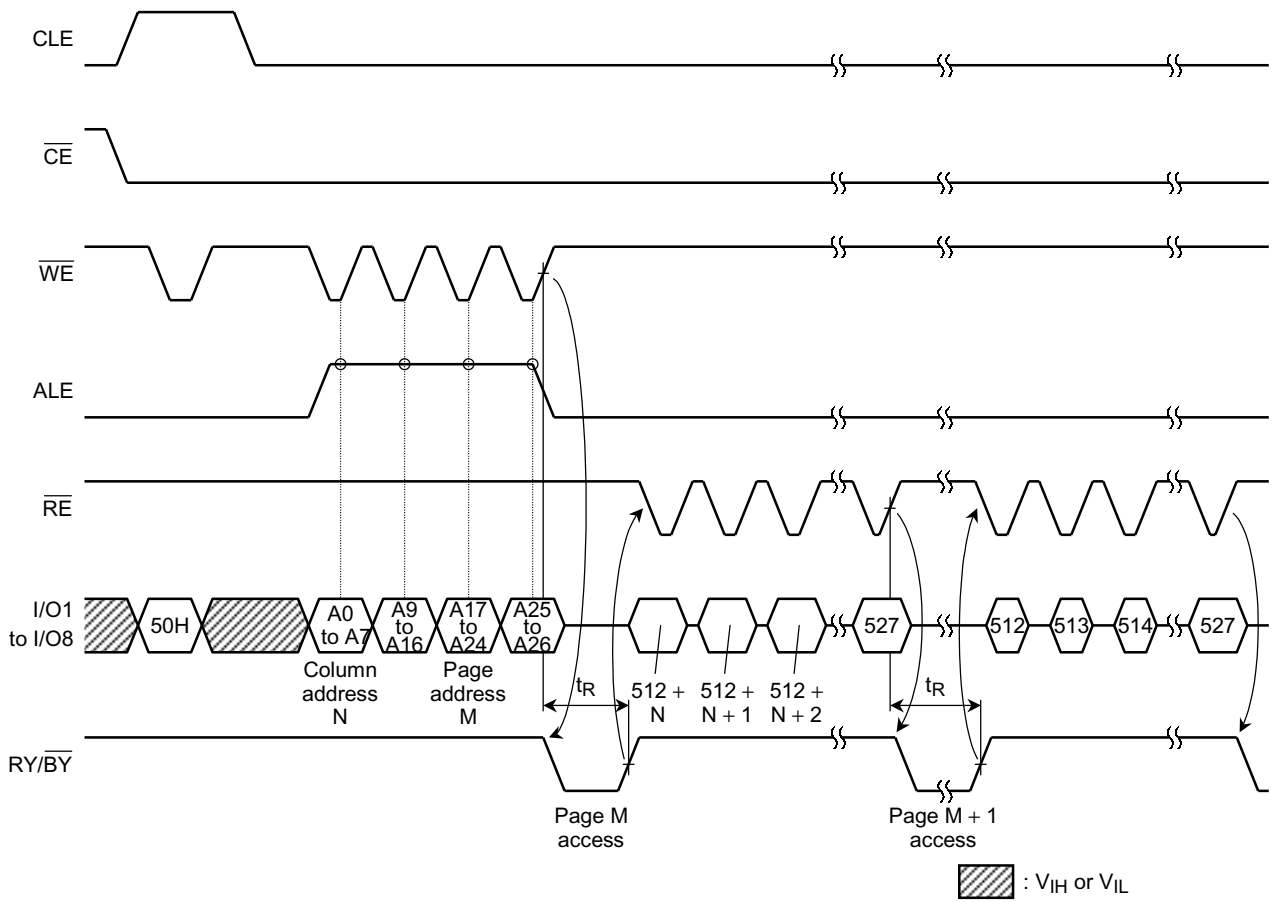
Sequential Read (1) Timing Diagram



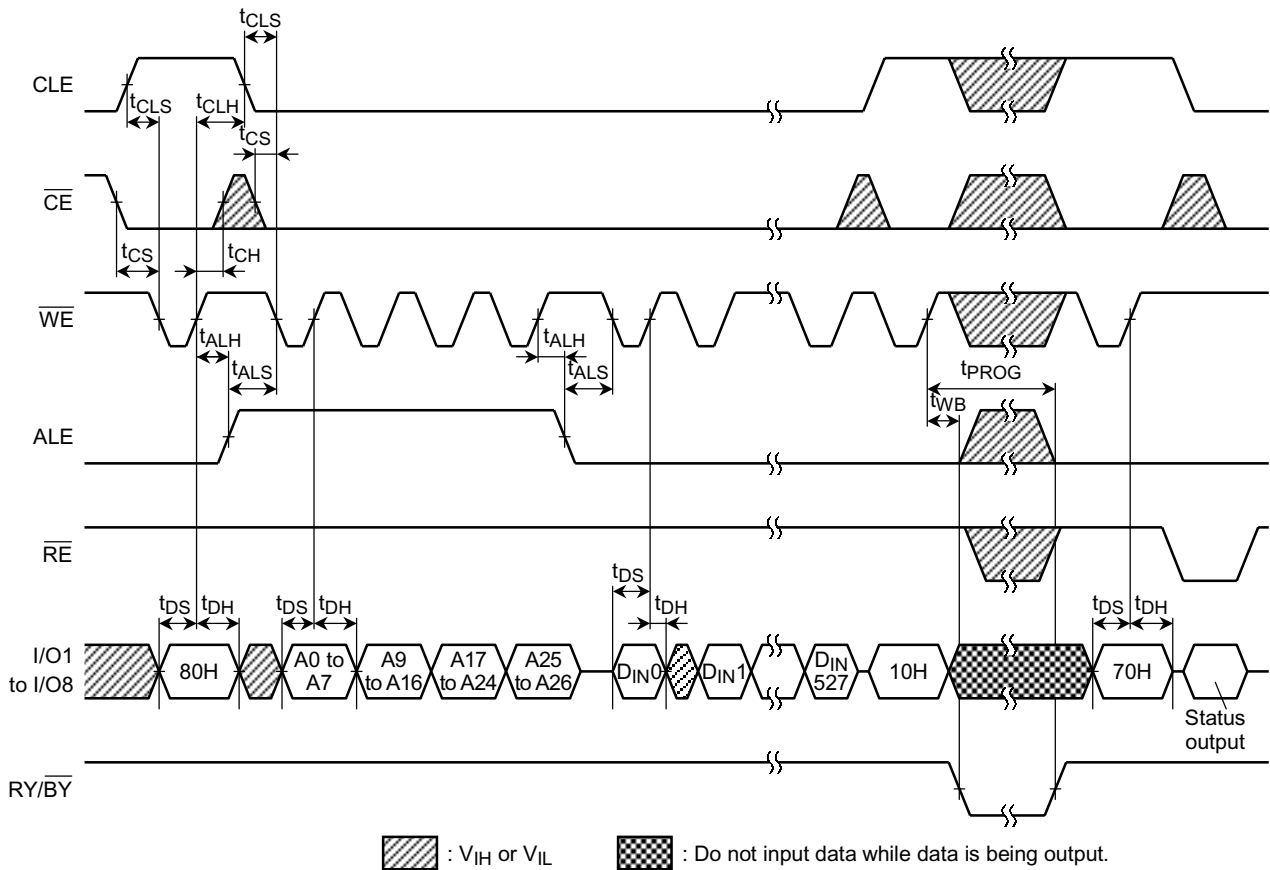
Sequential Read (2) Timing Diagram



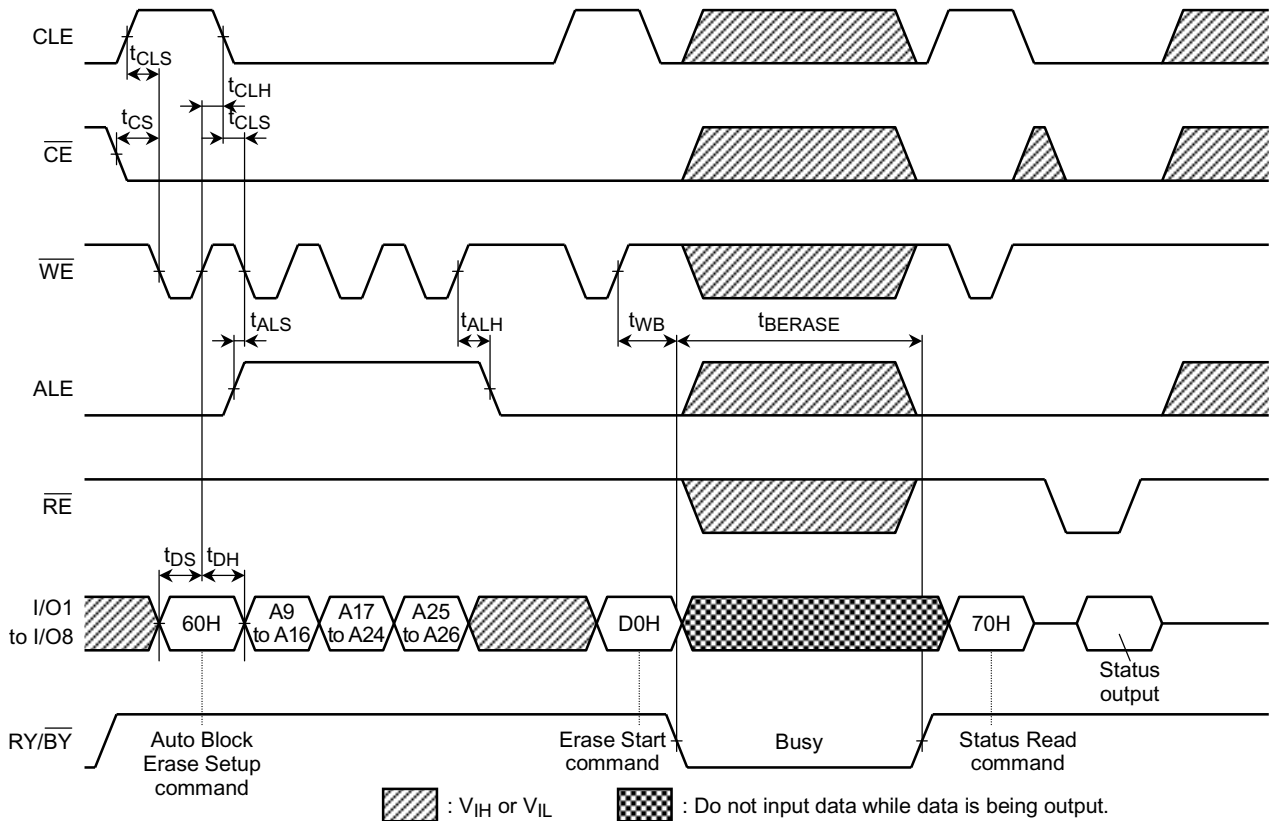
Sequential Read (3) Timing Diagram



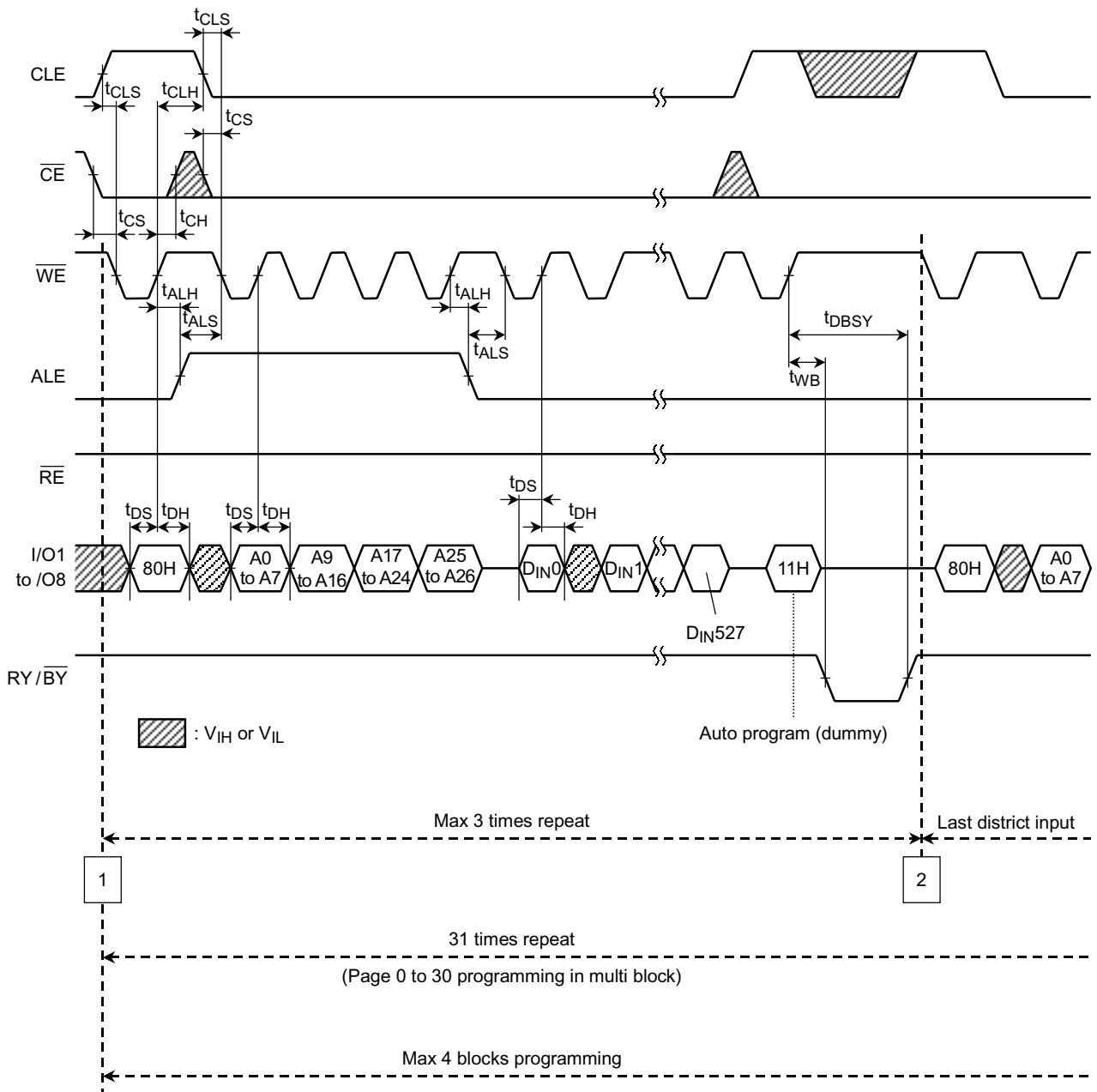
Auto-Program Operation Timing Diagram



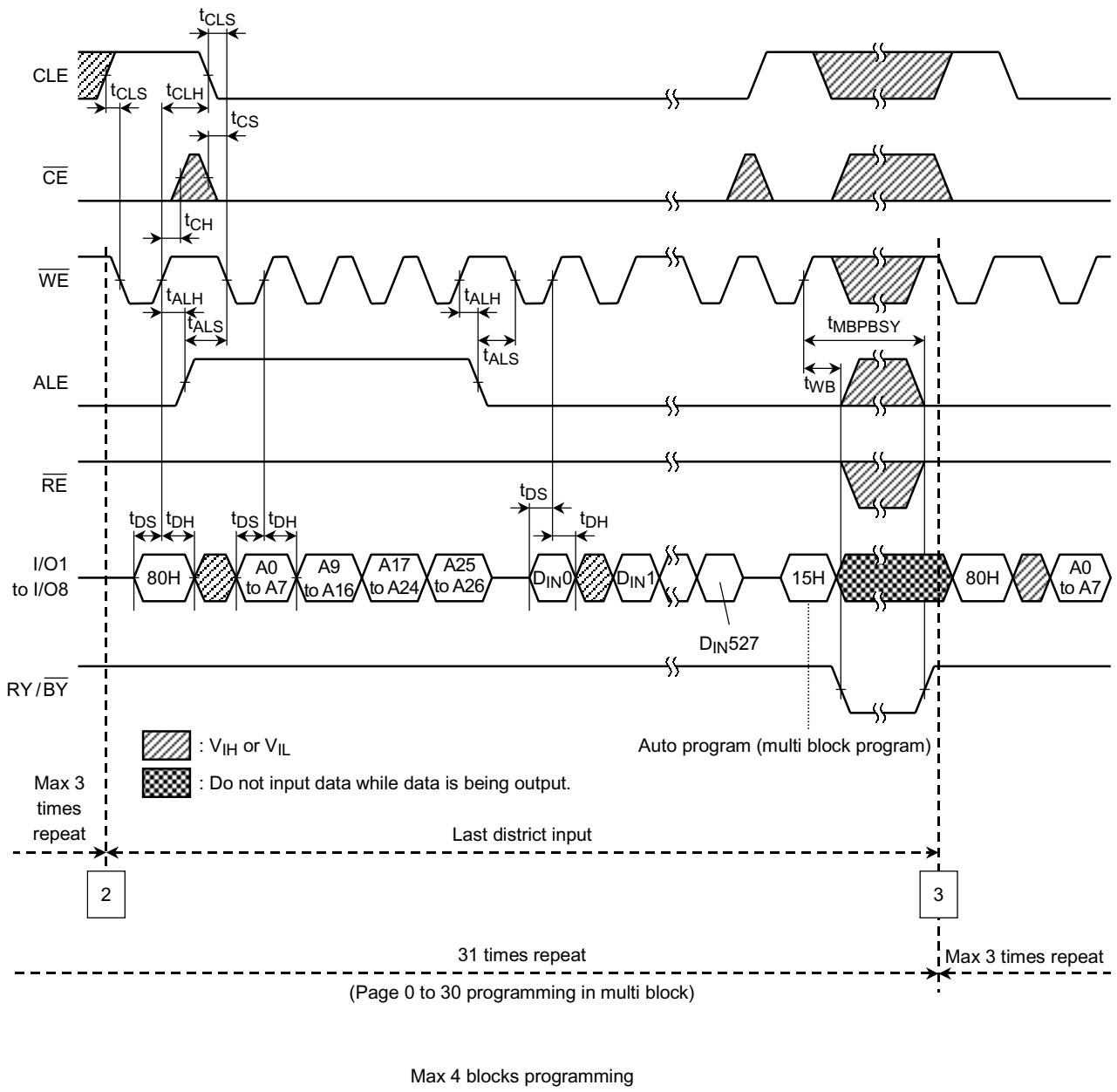
Auto Block Erase Timing Diagram



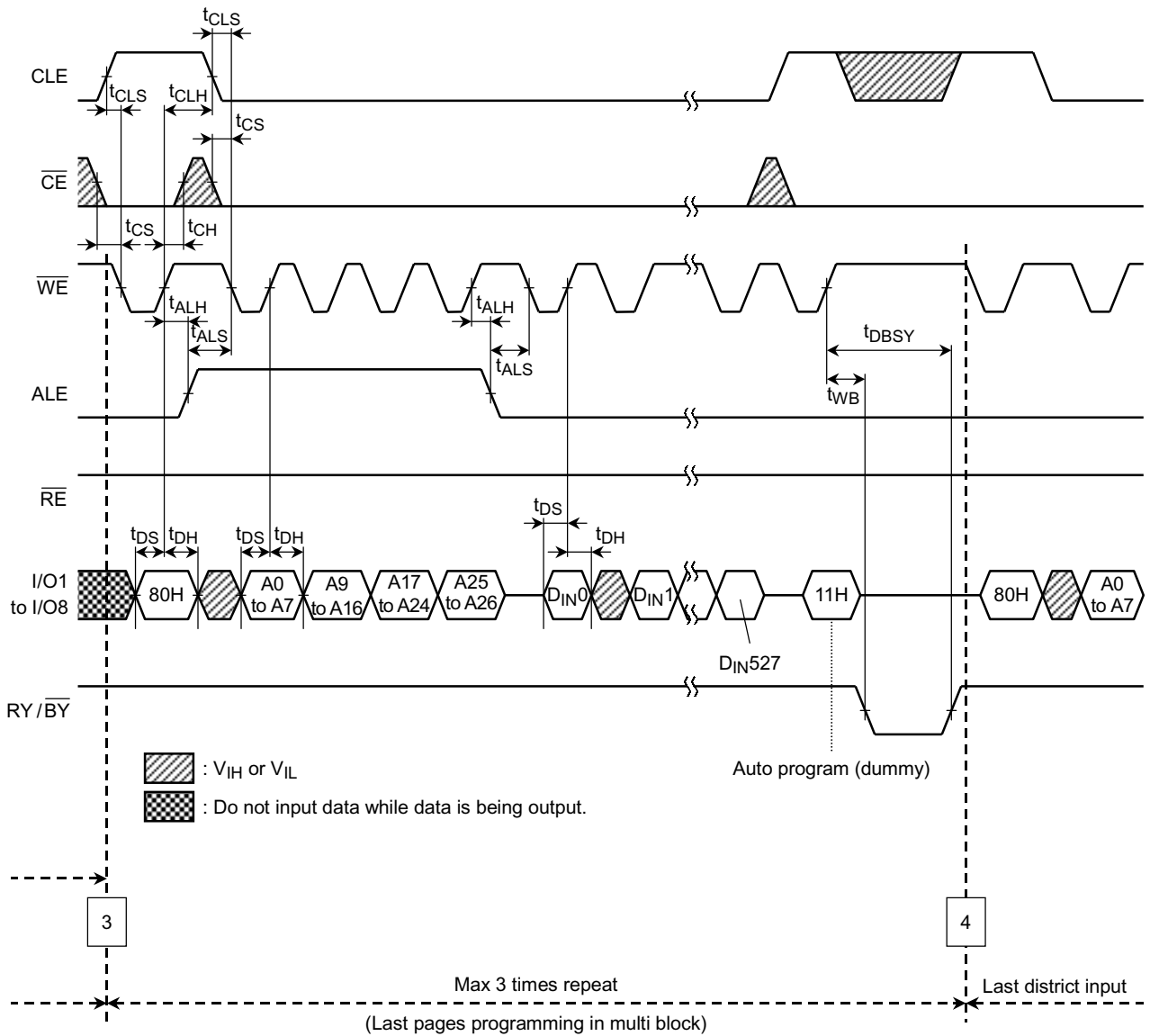
Multi Block Programming Timing (to be continued)



(continuation 1) Multi Block Programming Timing



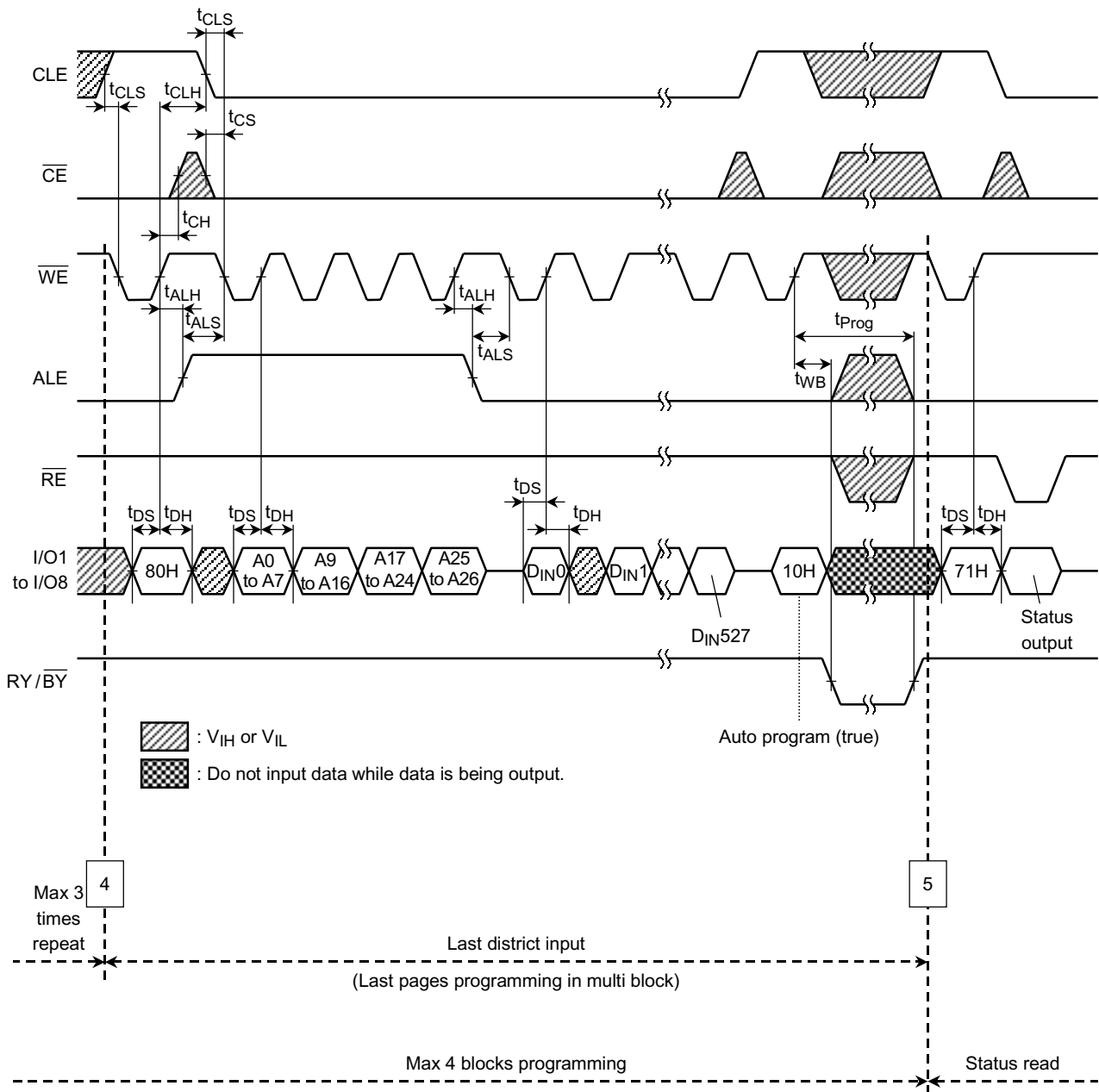
(continuation 2) Multi Block Programming Timing



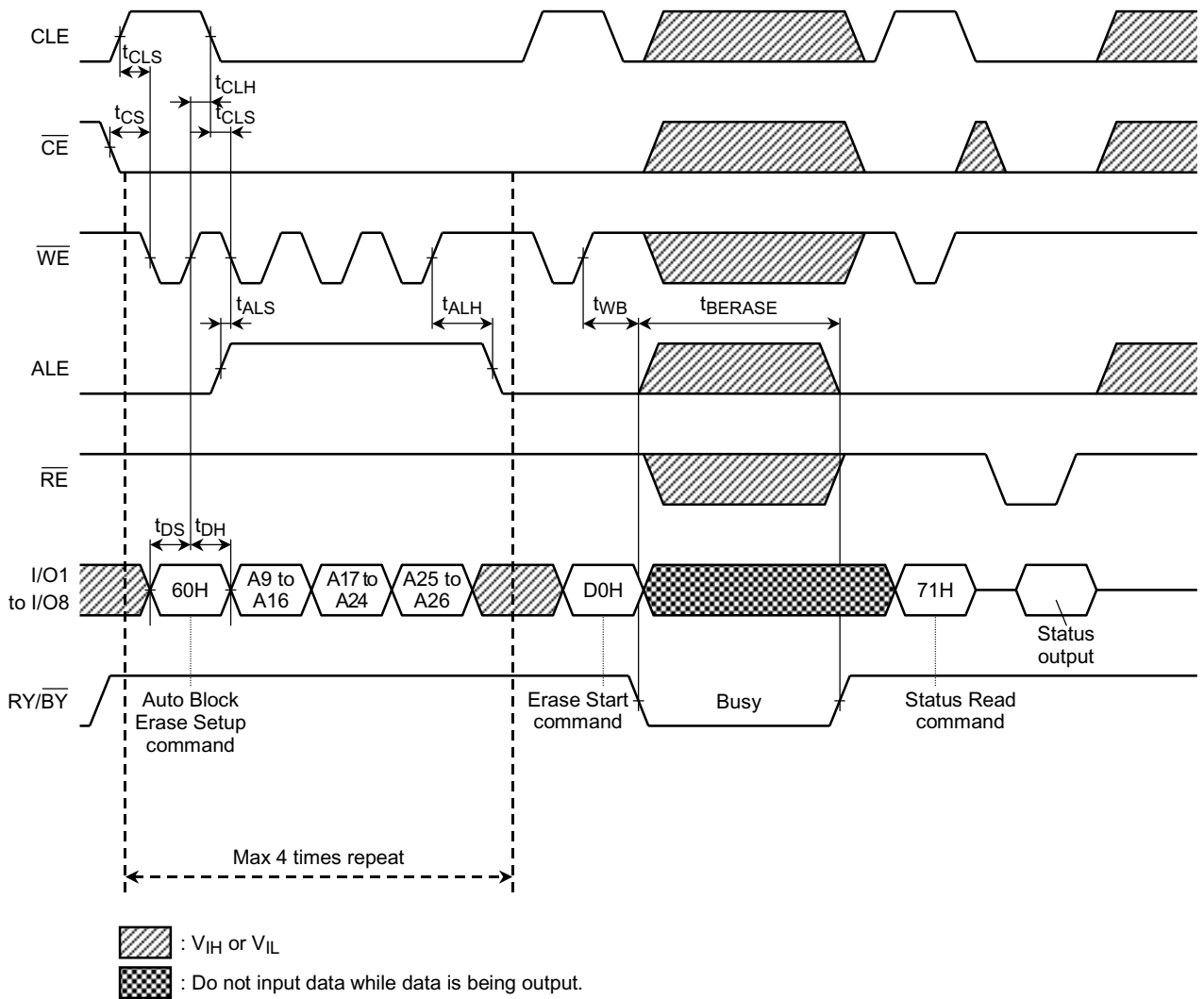
Max 4 blocks programming



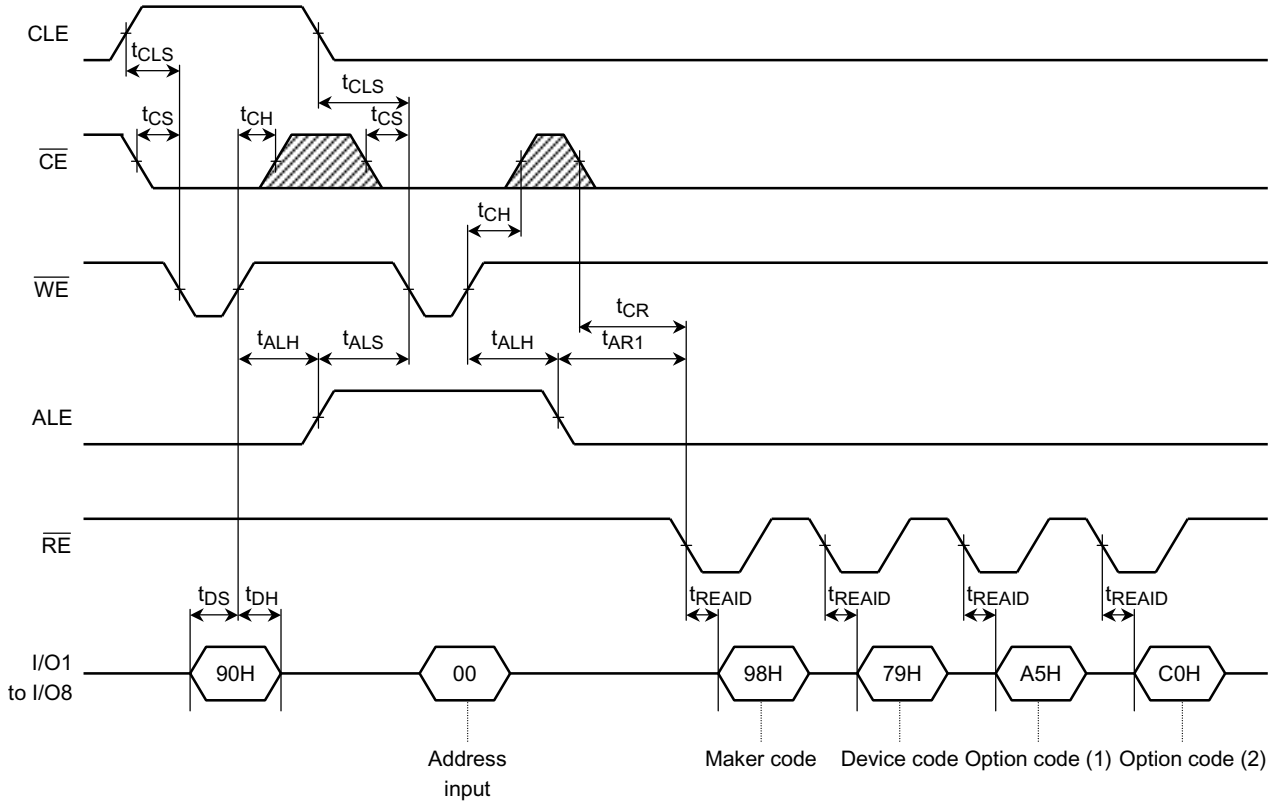
(continuation 3) Multi Block Programming Timing



Multi Block Erase Timing Diagram

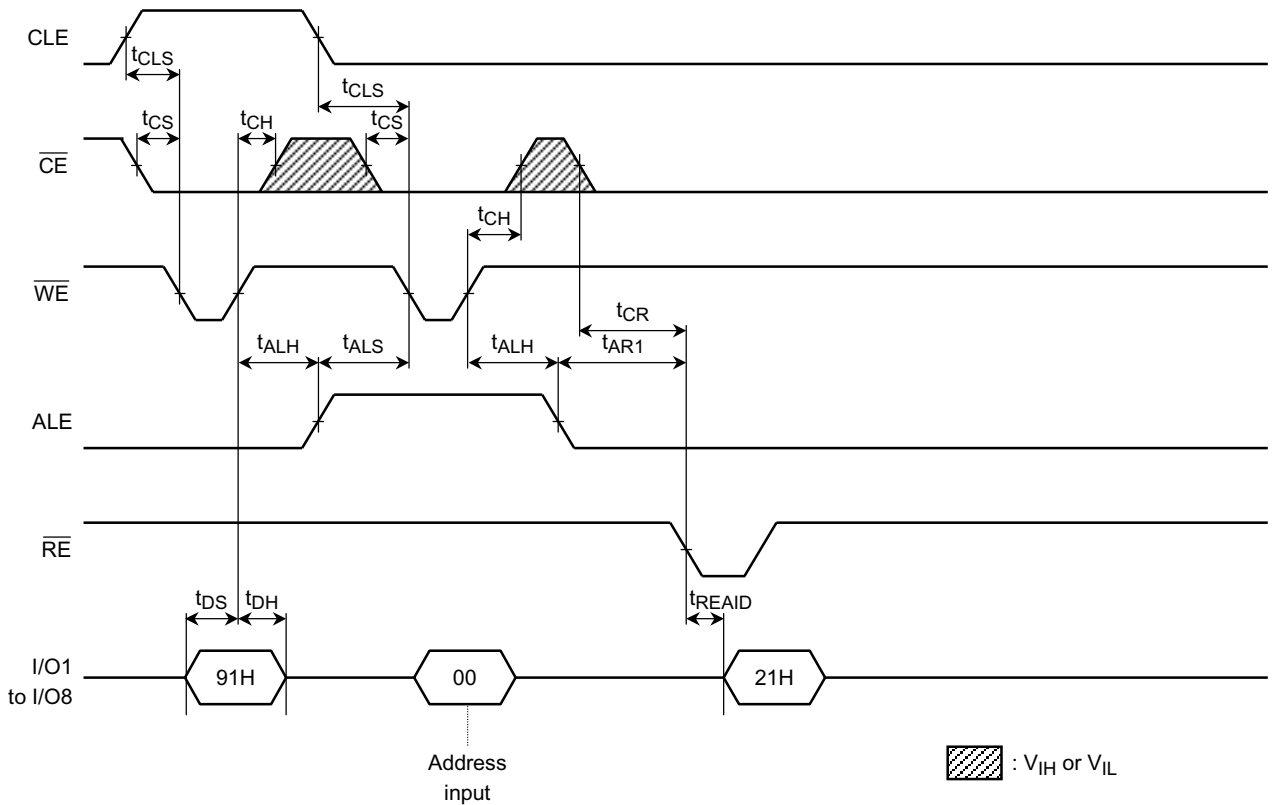


ID Read (1) Operation Timing Diagram



:  $V_{IH}$  or  $V_{IL}$

ID Read (2) Operation Timing Diagram



:  $V_{IH}$  or  $V_{IL}$

## PIN FUNCTIONS

The device is a serial access memory which utilizes time-sharing input of address information. The device pin-outs are configured as shown in Figure 1.

### Command Latch Enable: CLE

The CLE input signal is used to control loading of the operation mode command into the internal command register. The command is latched into the command register from the I/O port on the rising edge of the  $\overline{WE}$  signal while CLE is High.

### Address Latch Enable: ALE

The ALE signal is used to control loading of either address information or input data into the internal address/data register. Address information is latched on the rising edge of  $\overline{WE}$  if ALE is High. Input data is latched if ALE is Low.

### Chip Enable: $\overline{CE}$

The device goes into a low-power Standby mode when  $\overline{CE}$  goes High during a Read operation. The  $\overline{CE}$  signal is ignored when device is in Busy state ( $\overline{RY/BY} = L$ ), such as during a Program or Erase operation, and will not enter Standby mode even if the  $\overline{CE}$  input goes High. The  $\overline{CE}$  signal must stay Low during the Read mode Busy state to ensure that memory array data is correctly transferred to the data register.

### Write Enable: $\overline{WE}$

The  $\overline{WE}$  signal is used to control the acquisition of data from the I/O port.

### Read Enable: $\overline{RE}$

The  $\overline{RE}$  signal controls serial data output. Data is available  $t_{REA}$  after the falling edge of  $\overline{RE}$ . The internal column address counter is also incremented (Address = Address + 1) on this falling edge.

### I/O Port: I/O1~I/O8

The I/O1 to I/O8 pins are used as a port for transferring address, command and input/output data to and from the device.

### Write Protect: $\overline{WP}$

The  $\overline{WP}$  signal is used to protect the device from accidental programming or erasing. The internal voltage regulator is reset when  $\overline{WP}$  is Low. This signal is usually used for protecting the data during the power-on/off sequence when input signals are invalid.

### Ready/Busy: $\overline{RY/BY}$

The  $\overline{RY/BY}$  output signal is used to indicate the operating condition of the device. The  $\overline{RY/BY}$  signal is in Busy state ( $\overline{RY/BY} = L$ ) during the Program, Erase and Read operations and will return to Ready state ( $\overline{RY/BY} = H$ ) after completion of the operation. The output buffer for this signal is an open drain.

### Low Voltage Detect: LVD

The LVD signal is used to detect the power supply voltage level.

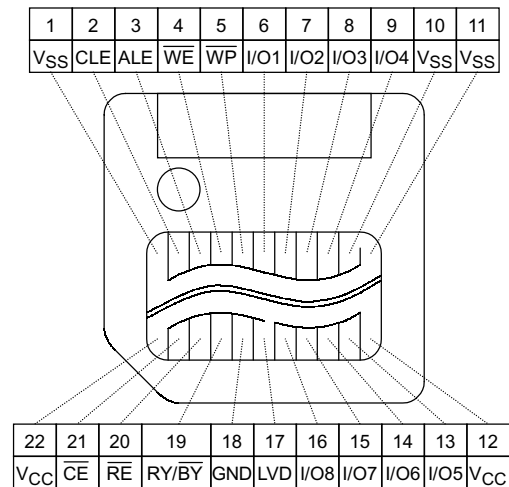


Figure 1. Pinout

## Schematic Cell Layout and Address Assignment

The Program operation works on page units while the Erase operation works on block units.

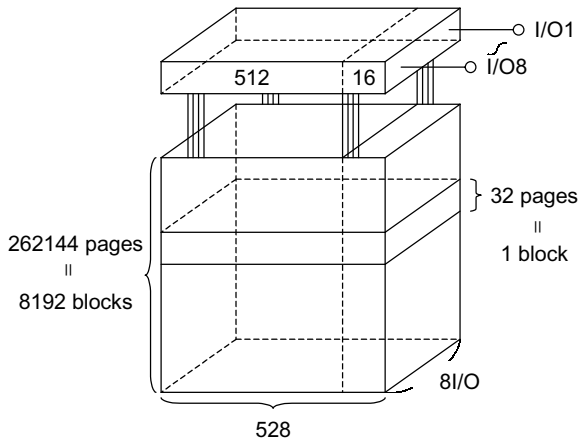


Figure 2. Schematic Cell Layout

A page consists of 528 bytes in which 512 bytes are used for main memory storage and 16 bytes are for redundancy or for other uses.

1 page = 528 bytes

1 block = 528 bytes × 32 pages = (16K + 512) bytes

Capacity = 528 bytes × 32 pages × 8192 blocks

An address is read in via the I/O port over four consecutive clock cycles, as shown in Table 1.

Table 1. Addressing

	I/O8	I/O7	I/O6	I/O5	I/O4	I/O3	I/O2	I/O1
First cycle	A7	A6	A5	A4	A3	A2	A1	A0
Second cycle	A16	A15	A14	A13	A12	A11	A10	A9
Third cycle	A24	A23	A22	A21	A20	A19	A18	A17
Fourth cycle	*L	*L	*L	*L	*L	*L	A26	A25

A0 to A7 : Column address

A9 to A26 : Page address

A14 to A26 : Block address

A9 to A13 : NAND address in block

\* : A8 is automatically set to Low or High by a 00H command or a 01H command.

\* : I/O3 to I/O8 must be set to Low in the fourth cycle.

## Operation Mode: Logic and Command Tables

The operation modes such as Program, Erase, Read and Reset are controlled by the fourteen different command operations shown in Table 3. Address input, command input and data input/output are controlled by the CLE, ALE,  $\overline{CE}$ ,  $\overline{WE}$ ,  $\overline{RE}$  and  $\overline{WP}$  signals, as shown in Table 2.

Table 2. Logic Table

	CLE	ALE	$\overline{CE}$	$\overline{WE}$	$\overline{RE}$	$\overline{WP}$
Command Input	H	L	L		H	*
Data Input	L	L	L		H	*
Address Input	L	H	L		H	*
Serial Data Output	L	L	L	H		*
During Programming (Busy)	*	*	*	*	*	H
During Erasing (Busy)	*	*	*	*	*	H
Program, Erase Inhibit	*	*	*	*	*	L

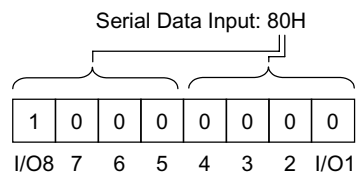
H:  $V_{IH}$ , L:  $V_{IL}$ , \*:  $V_{IH}$  or  $V_{IL}$

Table 3. Command table (HEX)

	First Cycle	Second Cycle	Acceptable while Busy
Serial Data Input	80	—	
Read Mode (1)	00	—	
Read Mode (2)	01	—	
Read Mode (3)	50	—	
Reset	FF	—	○
Auto Program (True)	10	—	
Auto Program (Dummy)	11	—	
Auto Program (Multi Block Program)	15	—	
Auto Block Erase	60	D0	
Status Read (1)	70	—	○
Status Read (2)	71	—	○
ID Read (1)	90	—	
ID Read (2)	91	—	

HEX data bit assignment

(Example)



Once the device has been set to Read mode by a 00H, 01H or 50H command, additional Read commands are not needed for sequential page Read operations.

Table 4 shows the operation states for Read mode.

Table 4. Read mode operation states

	CLE	ALE	$\overline{CE}$	$\overline{WE}$	$\overline{RE}$	I/O1 to I/O8	Power
Output Select	L	L	L	H	L	Output	Active
Output Deselect	L	L	L	H	H	High impedance	Active
Standby	L	L	H	H	*	High impedance	Standby

H:  $V_{IH}$ , L:  $V_{IL}$ , \*:  $V_{IH}$  or  $V_{IL}$

**DEVICE OPERATION**

Read Mode (1)

Read mode (1) is set when a "00H" command is issued to the Command register. Refer to Figure 3 below for timing details and the block diagram.

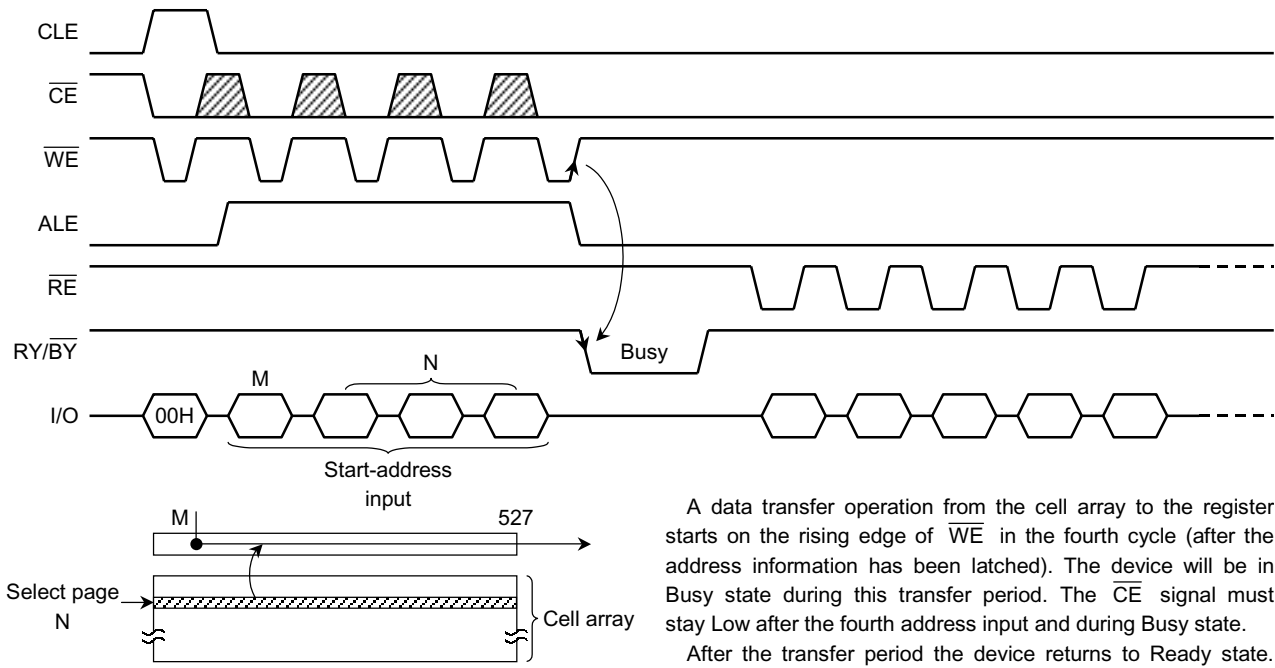


Figure 3. Read mode (1) operation

A data transfer operation from the cell array to the register starts on the rising edge of  $\overline{WE}$  in the fourth cycle (after the address information has been latched). The device will be in Busy state during this transfer period. The  $\overline{CE}$  signal must stay Low after the fourth address input and during Busy state.

After the transfer period the device returns to Ready state. Serial data can be output synchronously with the  $\overline{RE}$  clock from the start pointer designated in the address input cycle.

Read Mode (2)

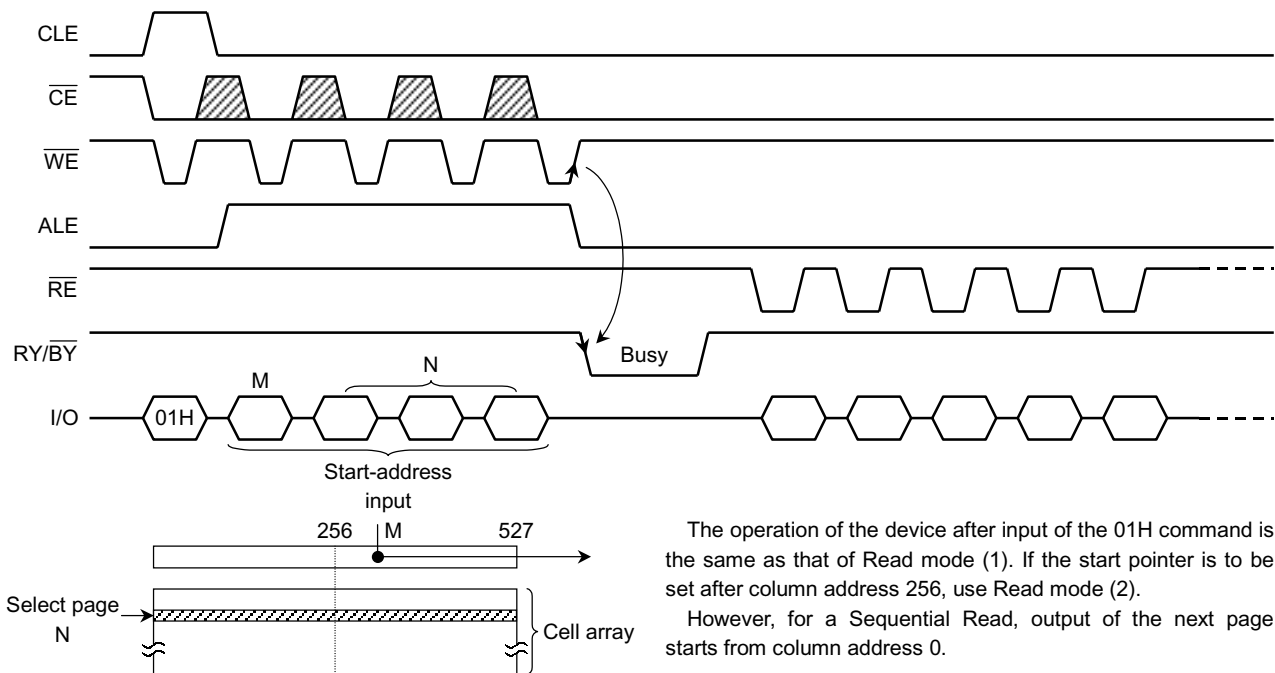


Figure 4. Read mode (2) operation

The operation of the device after input of the 01H command is the same as that of Read mode (1). If the start pointer is to be set after column address 256, use Read mode (2).

However, for a Sequential Read, output of the next page starts from column address 0.

**Read Mode (3)**

Read mode (3) has the same timing as Read modes (1) and (2) but is used to access information in the extra 16-byte redundancy area of the page. The start pointer is therefore set to a value between byte 512 and byte 527.

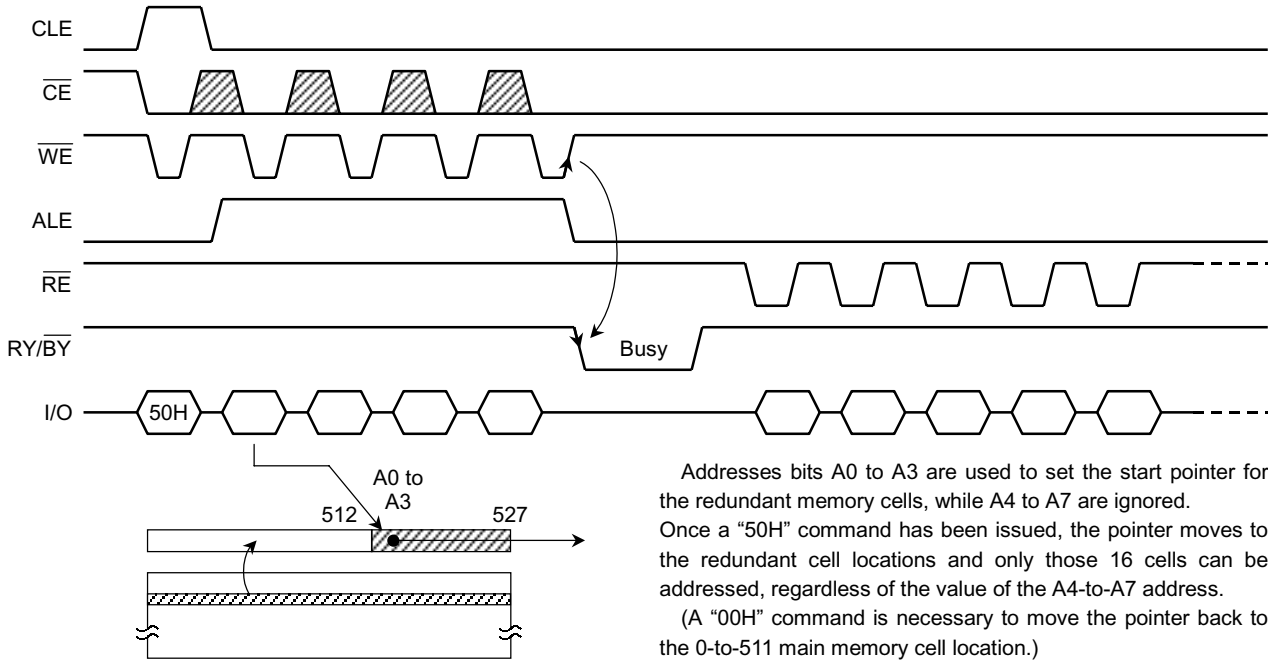
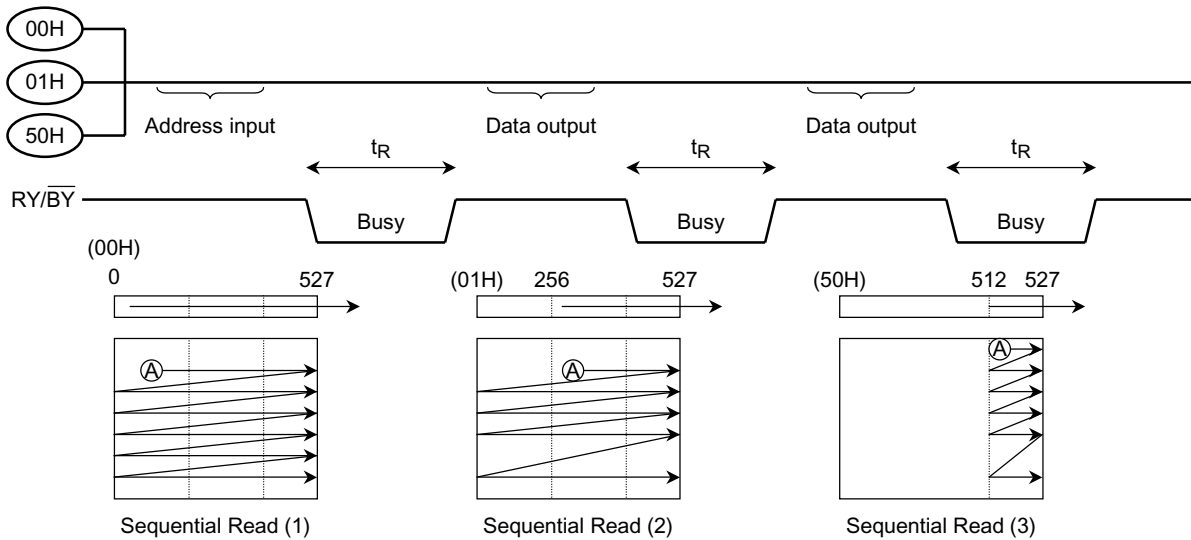


Figure 5. Read mode (3) operation

**Sequential Read (1) (2) (3)**

This mode allows the sequential reading of pages without additional address input.



Sequential Read modes (1) and (2) output the contents of addresses 0 to 527 as shown above, while Sequential Read mode (3) outputs the contents of the redundant address locations only.

When the page address reaches the next block address, read command (00H/01H/50H) and address inputs are needed.



**Status Read**

The device has two Status Read commands. One is Status Read (1) command “70H” and the other is Status Read (2) command “71H”.

The device automatically implements the execution and verification of the Program and Erase operations. The Status Read function is used to monitor the Ready/Busy status of the device, determine the result (pass/fail) of a Program or Erase operation, and determine whether the device is in Protect mode. The device status is output via the I/O port on the  $\overline{RE}$  clock after a Status Read command “70H” or “71H” input.

The resulting information of Status Read (1) command “70H” is outlined in Table 5 below and the resulting information of Status Read (2) command “71H” is outlined in the explanation for Multi Block Program and Multi Block Erase toward the end of this document.

Table 5. Status output table for Status Read (1) command “70H”

	STATUS	OUTPUT	
I/O1	Pass/Fail	Pass: 0	Fail: 1
I/O2	Not Used	0	
I/O3	Not Used	0	
I/O4	Not Used	0	
I/O5	Not Used	0	
I/O6	Not Used	0	
I/O7	Ready/Busy	Ready: 1	Busy: 0
I/O8	Write Protect	Protect: 0	Not Protected: 1

The Pass/Fail status on I/O1 is only valid when the device is in the Ready state.

An application example with multiple devices is shown in Figure 6.

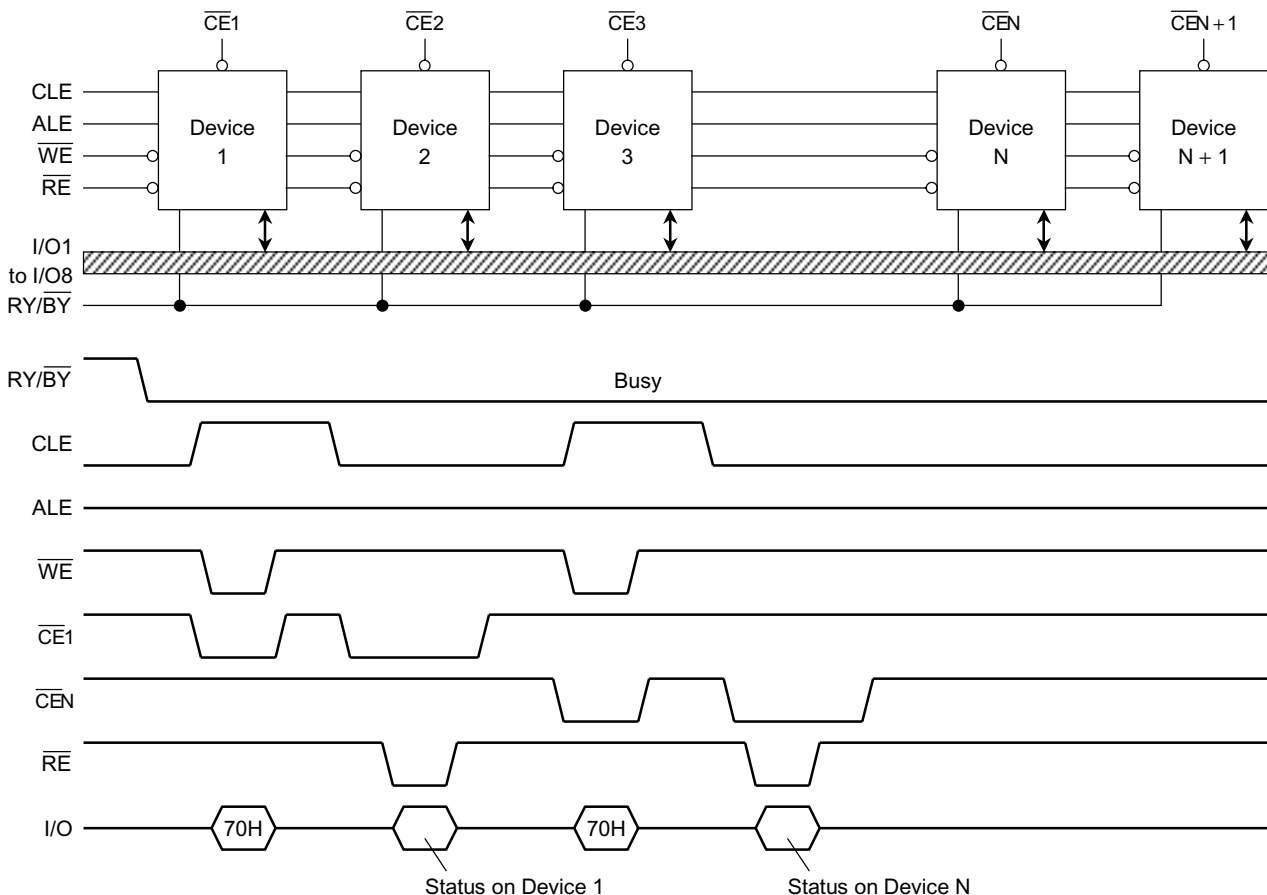


Figure 6. Status Read timing application example

System Design Note: If the RY/ $\overline{BY}$  pin signals from multiple devices are wired together as shown in the diagram, the Status Read function can be used to determine the status of each individual device.

Auto Page Program

The device carries out an Automatic Page Program operation when it receives a “10H” Program command after the address and data have been input. The sequence of command, address and data input is shown below. (Refer to the detailed timing chart.)

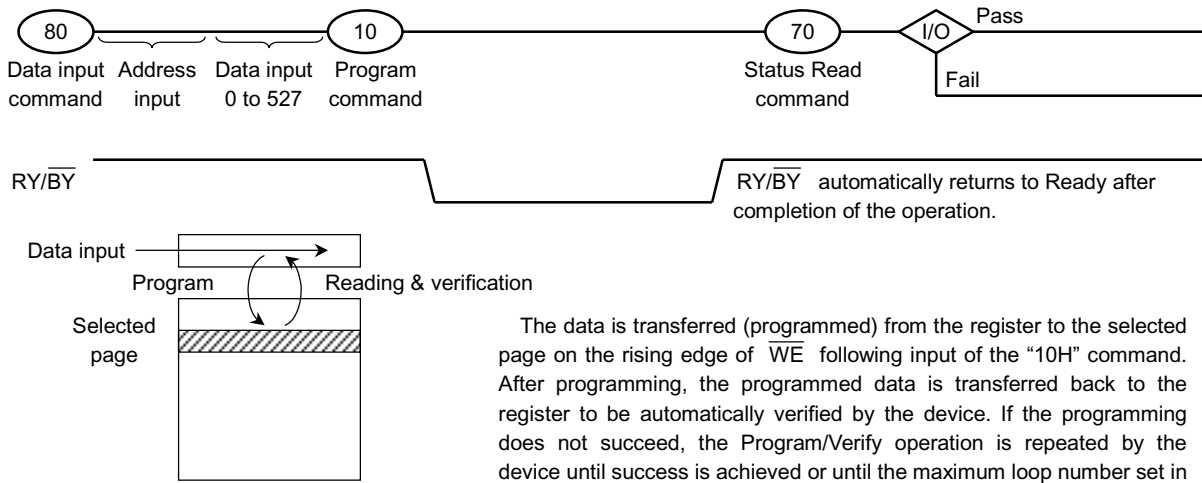
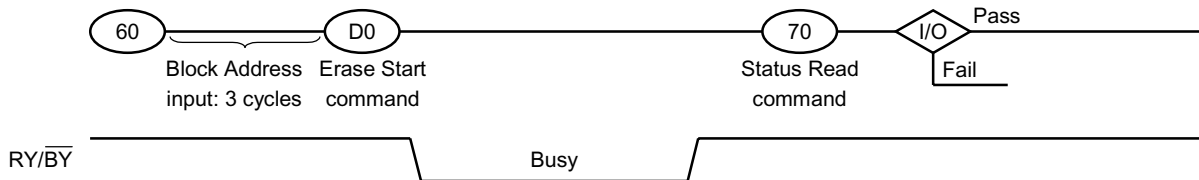


Figure 7. Auto Page Program operation

Auto Block Erase

The Auto Block Erase operation starts on the rising edge of  $\overline{WE}$  after the Erase Start command “D0H” which follows the Erase Setup command “80H”. This two-cycle process for Erase operations acts as an extra layer of protection from accidental erasure of data due to external noise. The device automatically executes the Erase and Verify operations.

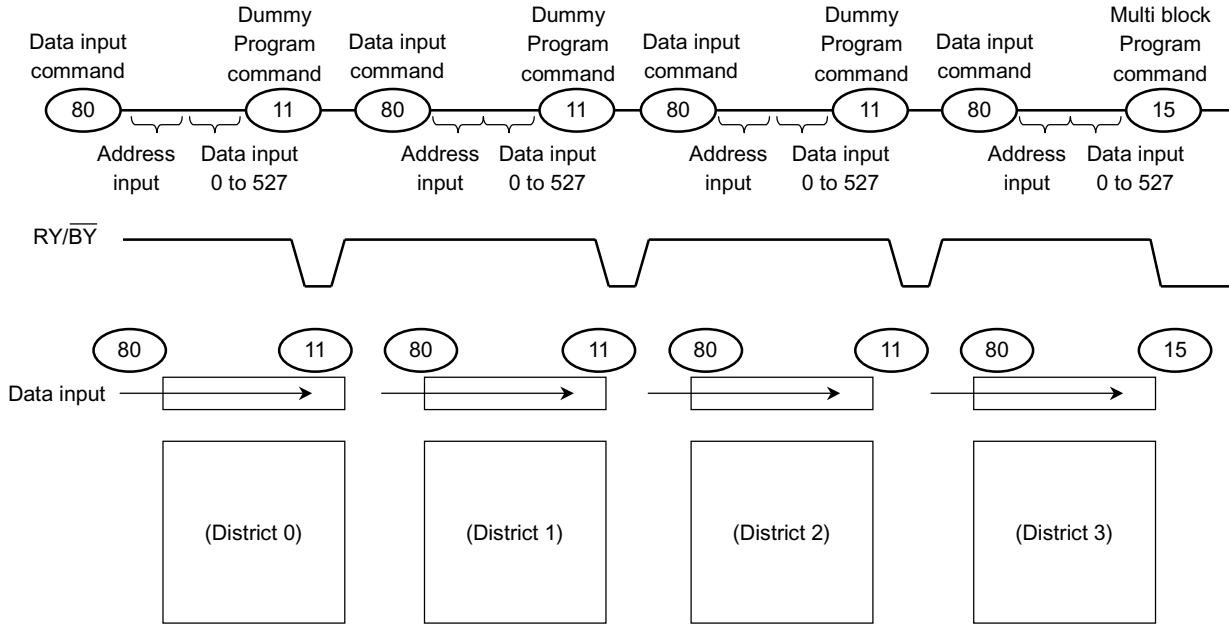


Multi Block Program

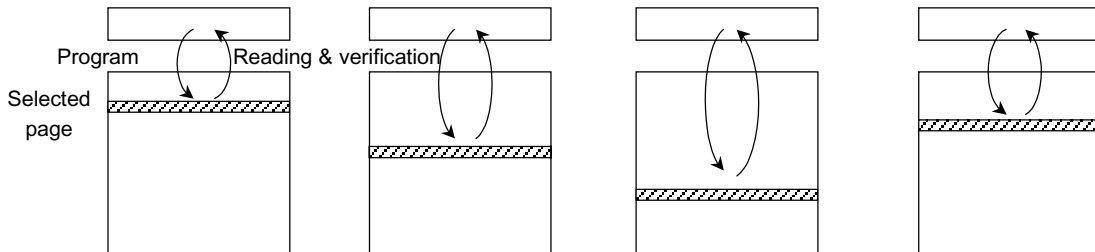
The device carries out a Multi Block Program operation when it receives a “15H” or “10H” Program command after some sets of the address and data have been input.

In the interval of the Multi District address and the (512 + 16 byte) data input, “11H” Dummy Program command is used when it still continues the data input into another District.

The sequence of command, address and data input is shown below. (Refer to the detailed timing chart.)



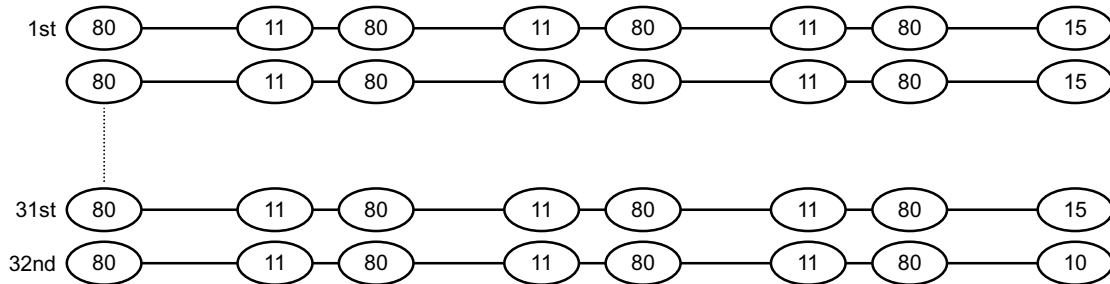
After “15H” Multi Block Program command, physical programing starts as follows.



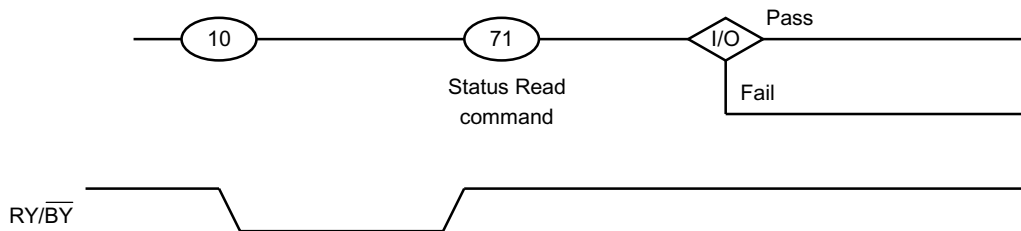
The data is transferred (programmed) from the register to the selected page on the rising edge of -WE following input of the “15H” command. After programming, the programmed data is transferred back to the register to be automatically verified by the device. If the programming does not succeed, the Program/Verify operation is repeated by the device until success is achieved or until the maximum loop number set in the device is reached.

Starting the above operation from 1st page of the selected erase blocks, and then repeating the operation total 31 times with incrementing the page address in the blocks, and then input the last page data of the blocks, "10H" command executes final programming.

In this full sequence, the command sequence is following.



After the "10H" command, the total results of the above operation is shown through the Status Read command.



The Status discription is following.

	STATUS	OUTPUT	
I/O1	Total Pass/Fail	Pass: 0	Fail: 1
I/O2	District 0 Pass/Fail	Pass: 0	Fail: 1
I/O3	District 1 Pass/Fail	Pass: 0	Fail: 1
I/O4	District 2 Pass/Fail	Pass: 0	Fail: 1
I/O5	District 3 Pass/Fail	Pass: 0	Fail: 1
I/O6	Not Used	Do not care	
I/O7	Ready/Busy	Ready: 1	Busy: 0
I/O8	Write Protect	Protect: 0	Not Protect: 1

I/O1 describes total Pass/Fail condition. If at least one fail occurred in 32 times × 4 (512 + 16 byte) page write operation, it shows "Fail" condition.

I/O2 describes total Pass/Fail condition. If more than one fail occurred in 32 times × 1 (512 + 16 byte) page write operation in District 0 area, it shows "Fail" condition.

I/O3, I/O4 and I/O5 are as same manner as I/O2.

### Internal addressing in relation with the Districts

To use Multi Block Program operation, the internal addressing should be conscious in relation with the District.

- The device consists of 2-chips, each of which have 4 Districts.
- Each District consists from 1024 erase blocks.
- The allocation rule is follows.

Chip 0, District 0: Block 0, Block 4, Block 8, Block 12, ..., Block 4092

Chip 0, District 1: Block 1, Block 5, Block 9, Block 13, ..., Block 4093

Chip 0, District 2: Block 2, Block 6, Block 10, Block 14, ..., Block 4094

Chip 0, District 3: Block 3, Block 7, Block 11, Block 15, ..., Block 4095

Chip 1, District 0: Block 4096, Block 4100, Block 4104, Block 4108, ..., Block 8188

Chip 1, District 1: Block 4097, Block 4101, Block 4105, Block 4109, ..., Block 8189

Chip 1, District 2: Block 4098, Block 4102, Block 4106, Block 4110, ..., Block 8190

Chip 1, District 3: Block 4099, Block 4103, Block 4107, Block 4111, ..., Block 8191

### Address input restriction for the Multi Block Program operation

In selecting the blocks for the Multi Block Program operation, following is the restriction and acceptance.

(Restriction)

It is prohibited to select blocks across 2-chips.

Maximum one block should be selected from each District.

The data input operation should be started from the same number page of the each selected block and then, the page number in the blocks should be same number at the same time programming.

(Acceptance)

There is no order limitation of the District for the address input.

Any number of the District can be select for the programming.

So, for example, following operation is in acceptance.

(80) [District 2] (11) (80) [District 0] (11) (80) [District 1] (15)

It requires no mutual address relation between the selected blocks from each District.

### Operating restriction during the Multi Block Program operation

(Restriction)

Starting from 1st page data input, until issuing "10H" command, any other command out of defined sequence can not be issued except Status Read command and Reset command.

(Acceptance)

The data input operation can be terminated with "10H" command instead of "15H" command in the middle of the page number in the block.

In this case the Status represents the reflected value accumulated from 1st page programming of this sequence and up to the last page programming terminated by "10H" command.

### Status Read operation

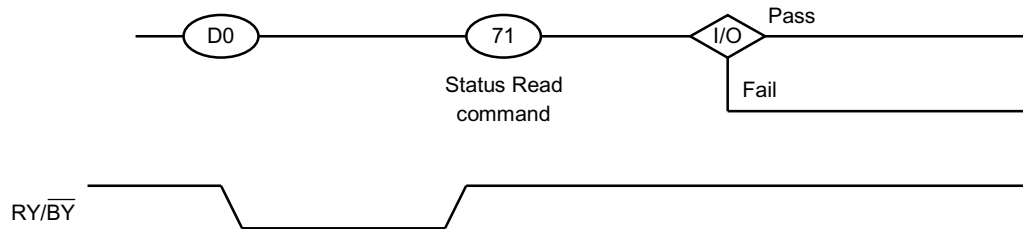
Untill the Ready condition after the programming terminated by "10H" command, effective bit in the Status data is limited on Ready/Busy bit.

In other words, Pass/Fail condition can be checked only in the Ready condition after "10H" command.

**Multi Block Erase**

The device carries out a Multi Block Erase operation when it receives a “D0H” command after some sets of the address have been input.

After the “D0H” command, the total results of Erase operation is shown through the Status Read (2) command “71H”.



The Status discription is following.

	STATUS	OUTPUT	
I/O1	Total Pass/Fail	Pass: 0	Fail: 1
I/O2	District 0 Pass/Fail	Pass: 0	Fail: 1
I/O3	District 1 Pass/Fail	Pass: 0	Fail: 1
I/O4	District 2 Pass/Fail	Pass: 0	Fail: 1
I/O5	District 3 Pass/Fail	Pass: 0	Fail: 1
I/O6	Not Used	Do not care	
I/O7	Ready/Busy	Ready: 1	Busy: 0
I/O8	Write Protect	Protect: 0	Not Protect: 1

I/O1 describes total Pass/Fail condition. If at least one fail occurred in Max 4 Blocks erase operation, it shows “Fail” condition.

I/O2 describes Pass/Fail condition. If fail occurred in District 0 area, it shows “Fail” condition.

I/O3, I/O4 and I/O5 are as same manner as I/O2.

**Internal addressing in relation with the Districts**

To use Multi Block Erase operation, the internal addressing should be conscious in relation with the Districts.

- The device consists of 2-chips, each of which have 4 Districts.
- Each District consists from 1024 erase blocks.
- The allocation rule is follows.
  - Chip 0, District 0: Block 0, Block 4, Block 8, Block 12, …., Block 4092
  - Chip 0, District 1: Block 1, Block 5, Block 9, Block 13, …., Block 4093
  - Chip 0, District 2: Block 2, Block 6, Block 10, Block 14, …., Block 4094
  - Chip 0, District 3: Block 3, Block 7, Block 11, Block 15, …., Block 4095
  - Chip 1, District 0: Block 4096, Block 4100, Block 4104, Block 4108, …., Block 8188
  - Chip 1, District 1: Block 4097, Block 4101, Block 4105, Block 4109, …., Block 8189
  - Chip 1, District 2: Block 4098, Block 4102, Block 4106, Block 4110, …., Block 8190
  - Chip 1, District 3: Block 4099, Block 4103, Block 4107, Block 4111, …., Block 8191

**Address input restriction for the Multi Block Erase operation**

In selecting the blocks for the Multi Block Erase operation, following is the restriction and acceptance.

(Restriction)

It is prohibited to select blocks across 2-chips. Maximum one block should be selected from each District.

(Acceptance)

There is no order limitation of the District for the address input. Any number of the Districts can be select for the erase operation.

So, for example, following operation is in acceptance.  
 (60) [District 2] (60) [District 0] (60) [District 1] (D0)

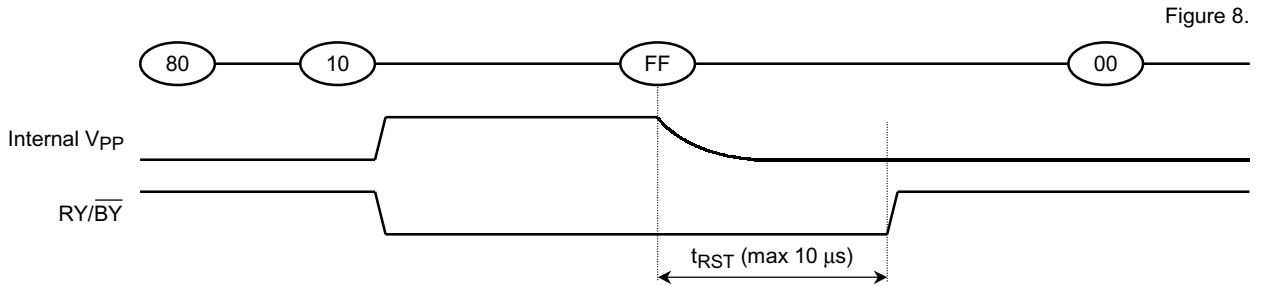
It requires no mutual address relation between the selected blocks from each District.

**Reset**

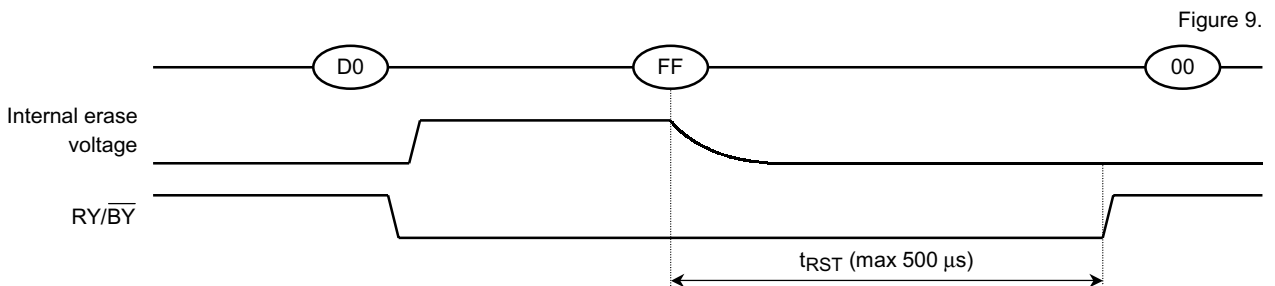
The Reset mode stops all operations. For example, in the case of a Program or Erase operation the internally generated voltage is discharged to 0 volts and the device enters Wait state.

The response to an “FFH” Reset command input during the various device operations is as follows:

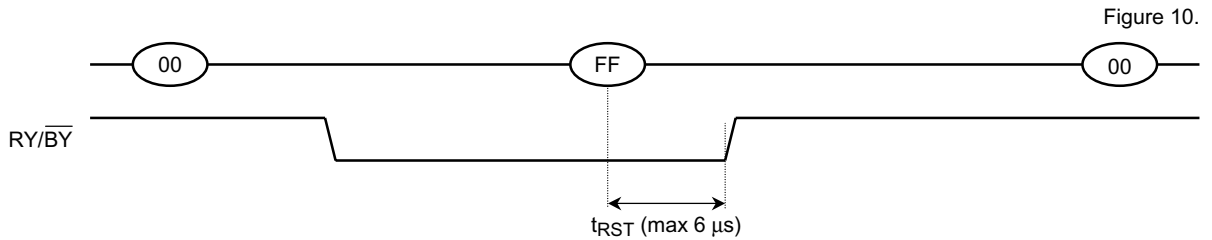
When a Reset (FFH) command is input during programming



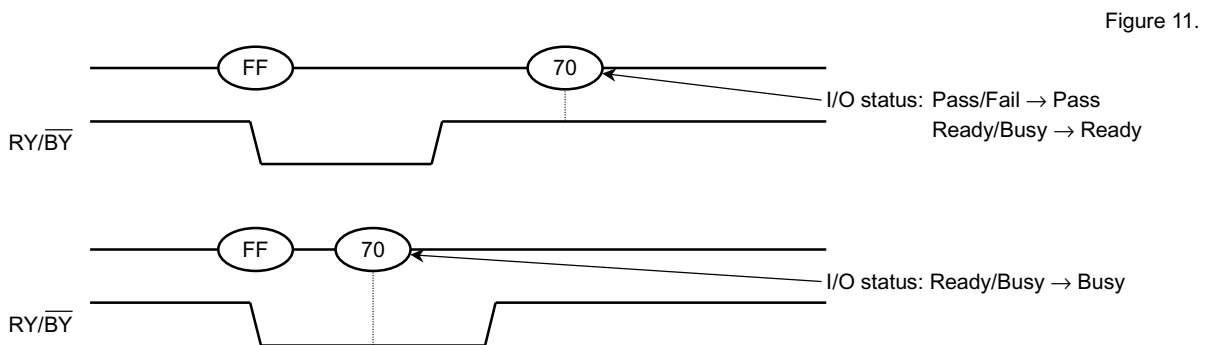
When a Reset (FFH) command is input during erasing



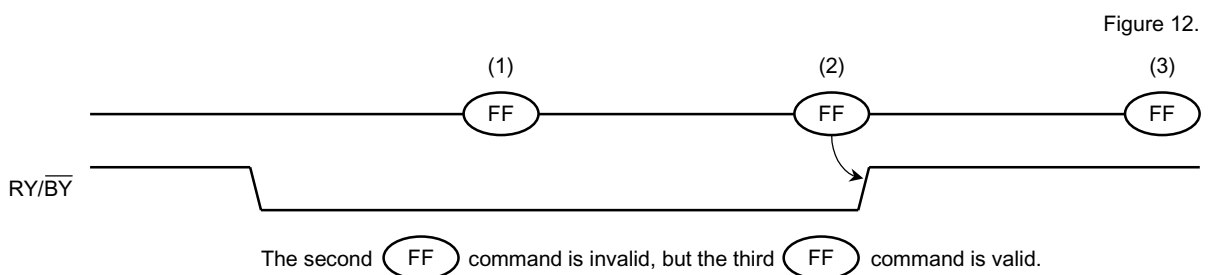
When a Reset (FFH) command is input during Read operation



When a Status Read command (70H) is input after a Reset



When two or more Reset commands are input in succession

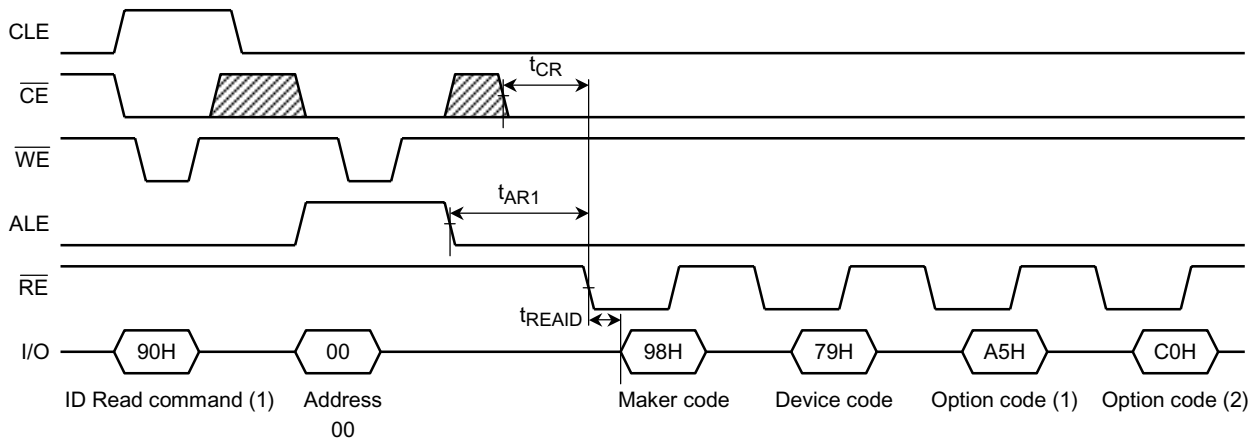


**ID Read (1)**

The device contains ID codes which identify the device type and the manufacturer.

The device has 2 types of ID read command, i.e. ID Read (1) command 90H and ID Read (2) command 91H.

ID Read (1) command 90H provides maker code and device code. The ID codes can be read out under the following timing conditions:



For the specifications of the access times  $t_{READ}$ ,  $t_{CR}$  and  $t_{AR1}$  refer to the AC Characteristics.

Figure 13. ID Read timing

Table 6. ID Codes read out by ID read command (1) 90H

	I/O8	I/O7	I/O6	I/O5	I/O4	I/O3	I/O2	I/O1	Hex Data
Maker code	1	0	0	1	1	0	0	0	98H
Device code	0	1	1	1	1	0	0	1	79H
Option code (1)	1	0	1	0	0	1	0	1	A5H*
Option code (2)	1	1	0	0	0	0	0	0	C0H**

\* The A5H for the 3<sup>rd</sup> byte of ID read means the existence of 128 bit unique ID number in the device.

\*\* The C0H for the 4<sup>th</sup> byte of ID read means the existence of ID Read (2) function.

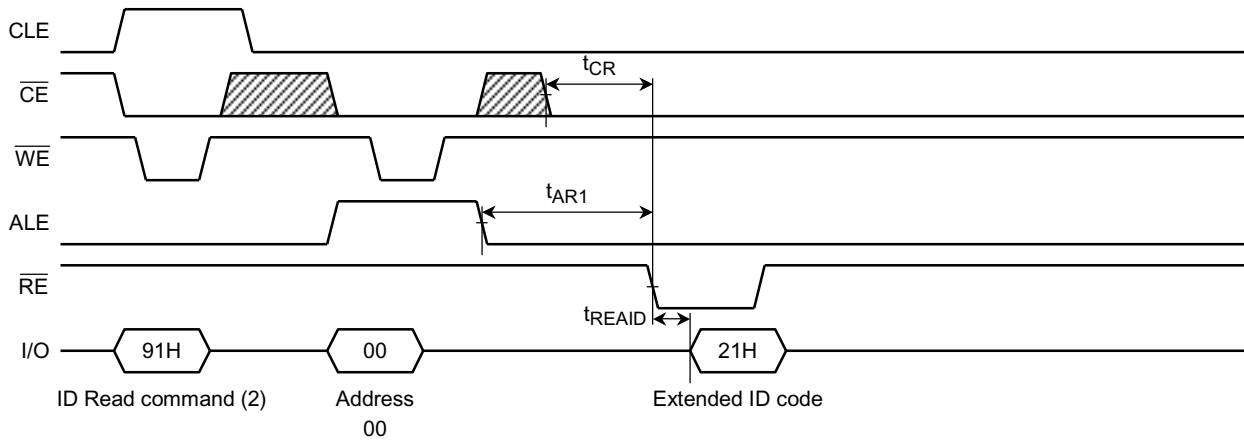
**How to read out unique ID number**

The 128 bit unique ID number is embedded in the device. The procedure to read out the ID number is available using special command which is provided under a non-disclosure agreement.



ID Read (2)

ID Read (2) command 91H provides ×4-block mode availability. If ID code read out by 91H is 21H, it indicates the device has ×4-block mode.



For the specifications of the access times  $t_{READ}$ ,  $t_{CR}$  and  $t_{AR1}$  refer to the AC Characteristics.

Figure 14. ID Read timing

Table 7. ID Codes read out by command 91H

	I/O8	I/O7	I/O6	I/O5	I/O4	I/O3	I/O2	I/O1	Hex Data
Extended ID code	0	0	1	0	0	0	0	1	21H

**APPLICATION NOTES AND COMMENTS**

(1) Power-on/off sequence:

The  $\overline{WP}$  signal is useful for protecting against data corruption at power-on/off. The following timing sequence is necessary.

The  $\overline{WP}$  signal may be negated any time after the  $V_{CC}$  reaches 2.8 V and  $\overline{CE}$  signal is kept high in power up sequence.

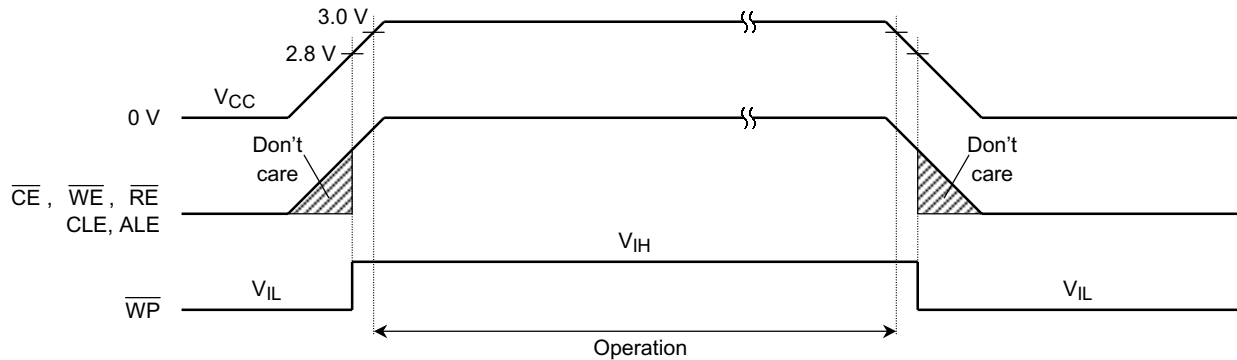


Figure 15. Power-on/off Sequence

In order to operate this device stably, after  $V_{CC}$  becomes 2.8 V, it recommends starting access after about 200  $\mu$ s.

(2) Status after power-on

The following sequence is necessary because some input signals may not be stable at power-on.

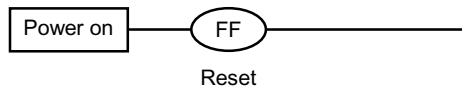


Figure 16.

(3) Prohibition of unspecified commands

The operation commands are listed in Table 3. Input of a command other than those specified in Table 3 is prohibited. Stored data may be corrupted if an unknown command is entered during the command cycle.

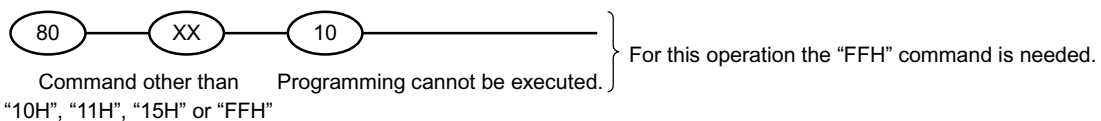
(4) Restriction of command while Busy state

During Busy state, do not input any command except 70H, 71H and FFH.

(5) Acceptable commands after Serial Input command "80H"

Once the Serial Input command "80H" has been input, do not input any command other than the Program Execution command "10H", "11H" or "15H" or the Reset command "FFH".

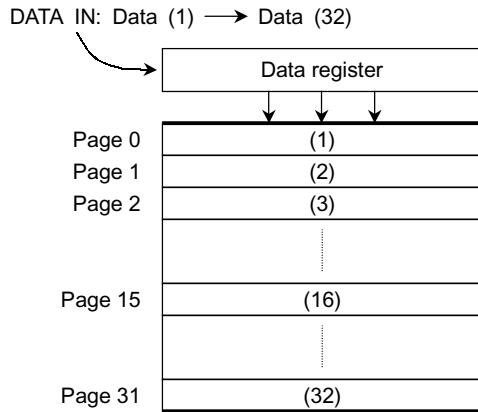
If a command other than "10H", "11H", "15H" or "FFH" is input, the Program operation is not performed.



(6) Addressing for program operation

Within a block, the pages must be programmed consecutively from the LSB (least significant bit) page of the block to MSB (most significant bit) page of the block. Random page address programming is prohibited.

From the LSB page to MSB page



Ex.) Random page program (Prohibition)

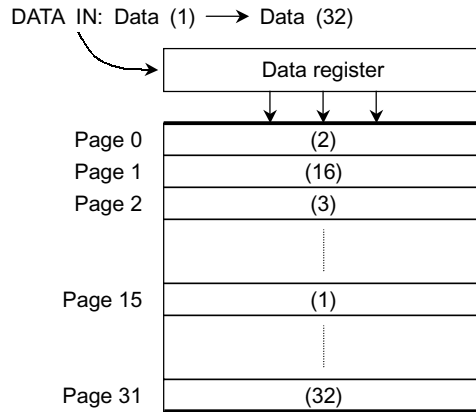


Figure 17. page programming within a block

(7) Status Read during a Read operation

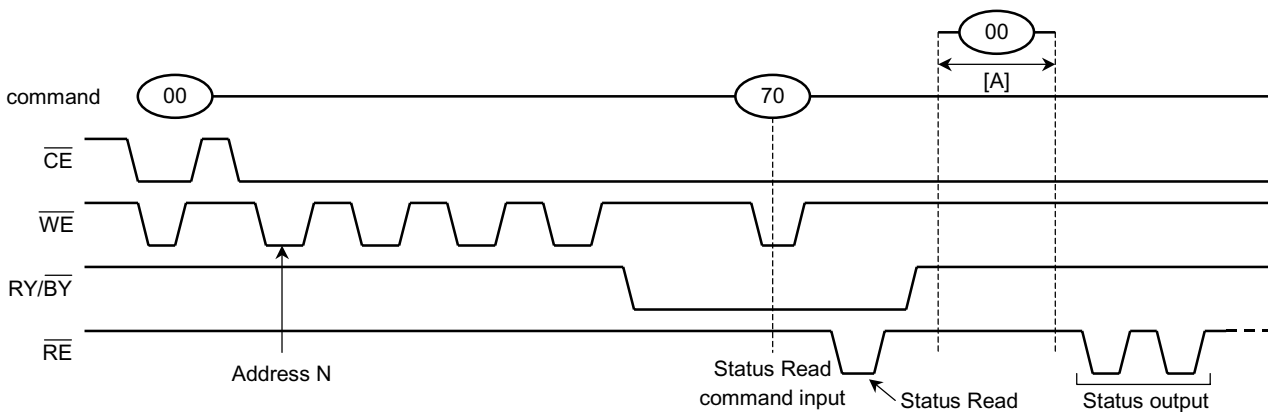


Figure 18.

The device status can be read out by inputting the Status Read command “70H” in Read mode.

Once the device has been set to Status Read mode by a “70H” command, the device will not return to Read mode.

Therefore, a Status Read during a Read operation is prohibited.

However, when the Read command “00H” is input during [A], Status mode is reset and the device returns to Read mode. In this case, data output starts automatically from address N and address input is unnecessary

(8) Pointer control for “00H”, “01H” and “50H”

The device has three Read modes which set the destination of the pointer. Table 7 shows the destination of the pointer, and Figure 14 is a block diagram of their operations.

Table 8. Pointer Destination

Read Mode	Command	Pointer
(1)	00H	0 to 255
(2)	01H	256 to 511
(3)	50H	512 to 527

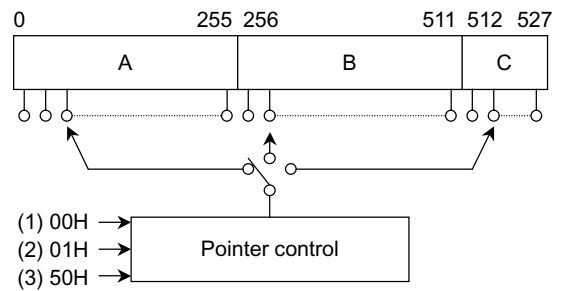
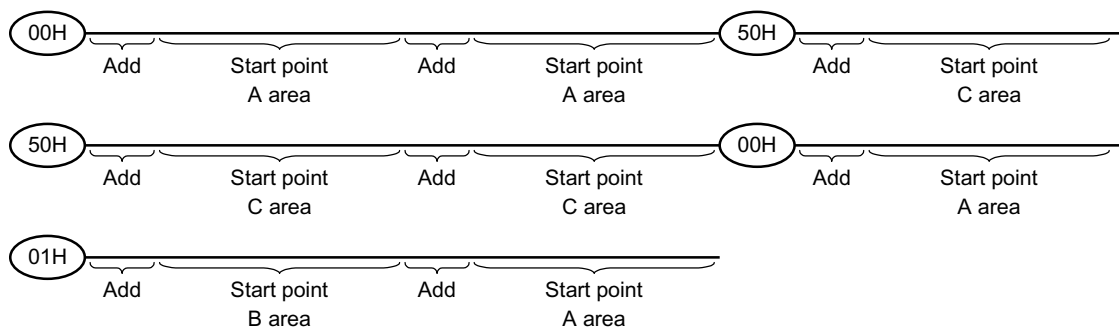


Figure 19. Pointer control

The pointer is set to region A by the “00H” command, to region B by the “01H” command, and to region C by the “50H” command.

(Example)

The “00H” command must be input to set the pointer back to region A when the pointer is pointing to region C.



To program region C only, set the start point to region C using the 50H command.

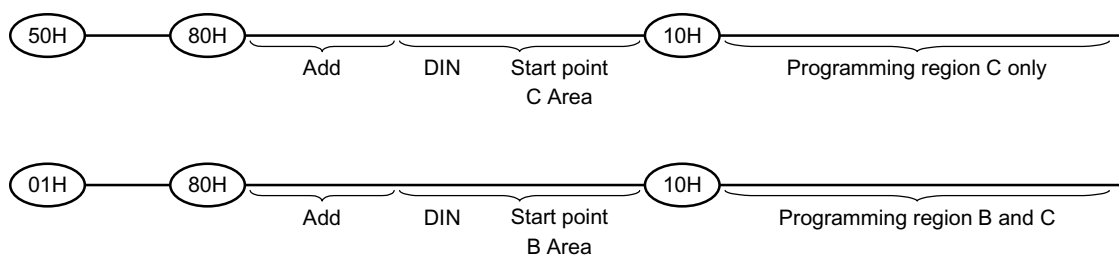
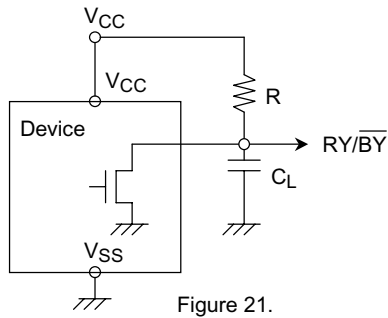


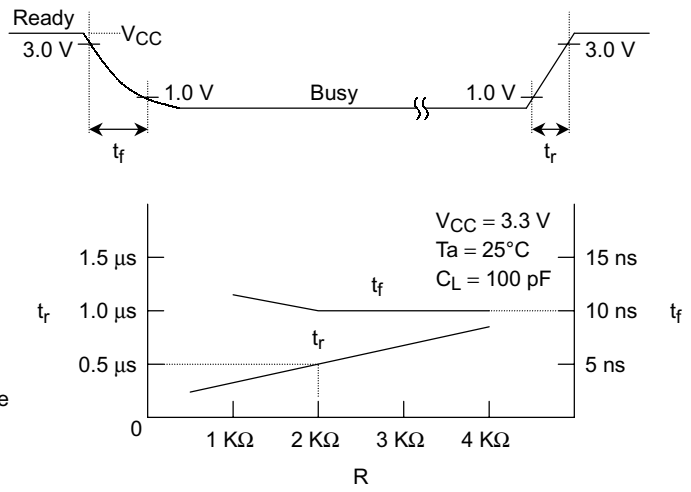
Figure 20. Example of How to Set the Pointer

(9)  $\overline{RY/BY}$  : termination for the Ready/Busy pin ( $\overline{RY/BY}$ )

A pull-up resistor needs to be used for termination because the  $\overline{RY/BY}$  buffer consists of an open drain circuit.



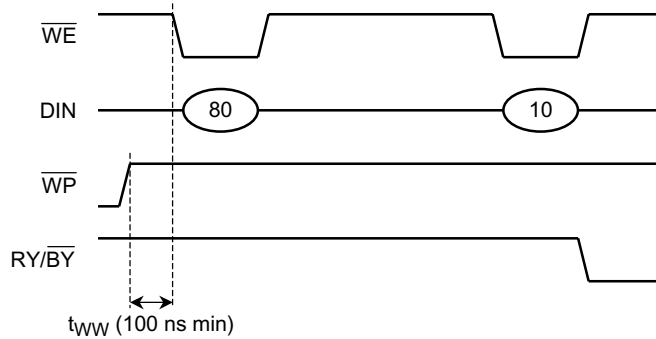
This data may vary from device to device.  
We recommend that you use this data as a reference when selecting a resistor value.



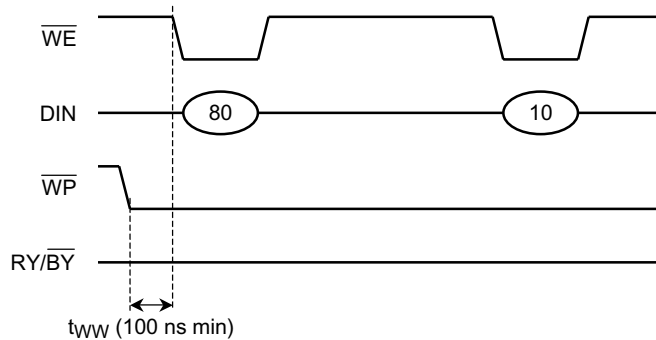
(10) Note regarding the  $\overline{WP}$  signal

The Erase and Program operations are automatically reset when  $\overline{WP}$  goes Low. The operations are enabled and disabled as follows:

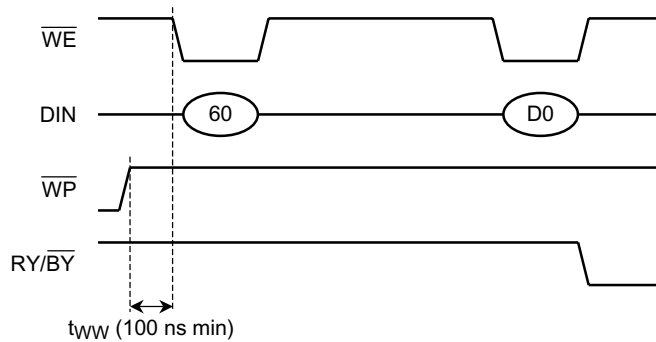
Enable Programming



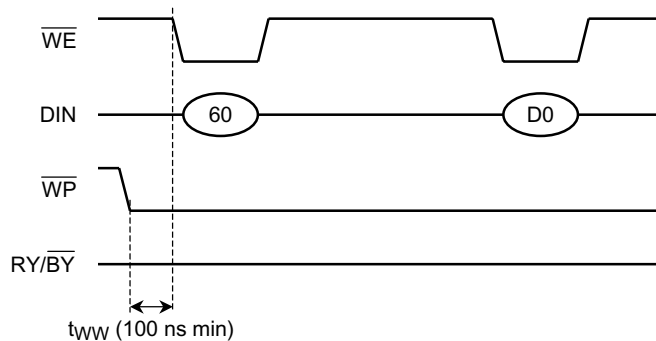
Disable Programming



Enable Erasing



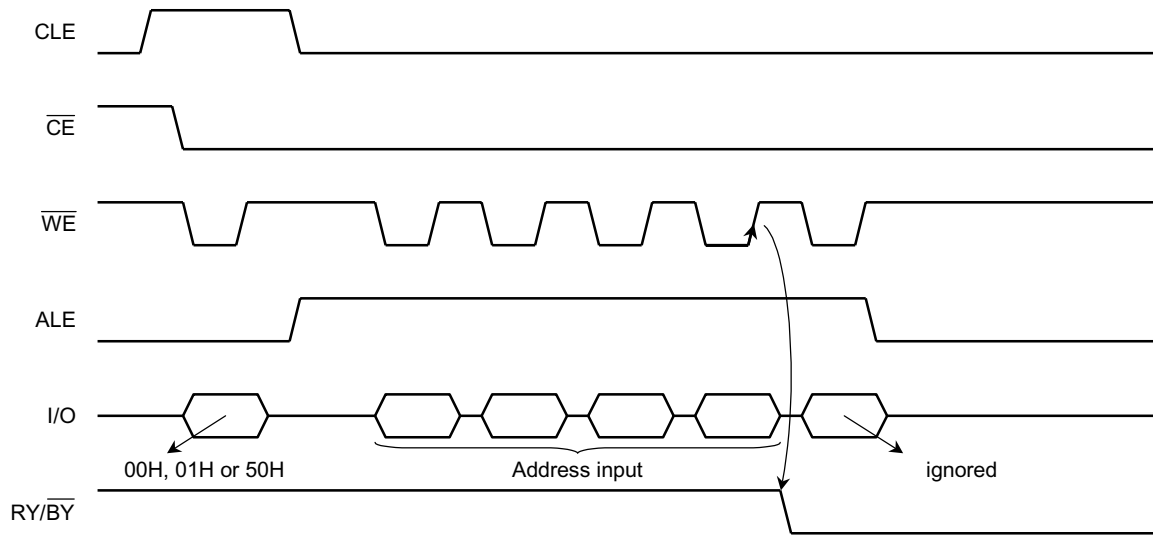
Disable Erasing



(11) When five address cycles are input

Although the device may read in a fifth address, it is ignored inside the chip.

Read operation



$\overline{WE}$  Internal read operation starts when  $\overline{WE}$  goes High in the fourth cycle.

Figure 22.

Program operation

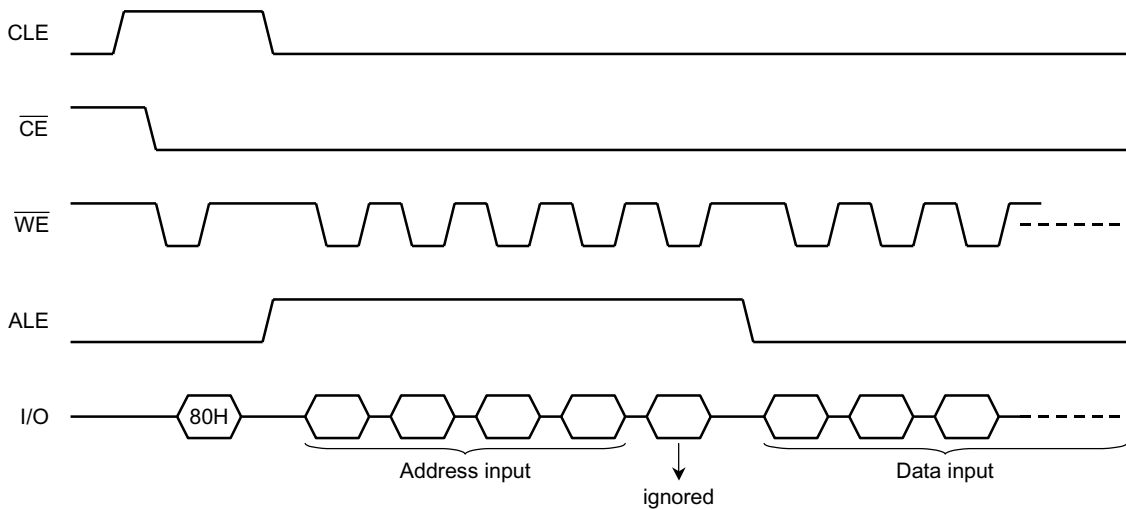


Figure 23.

(12) Several programming cycles on the same page (Partial Page Program)

A page can be divided into up to 3 segments. Each segment can be programmed individually as follows:

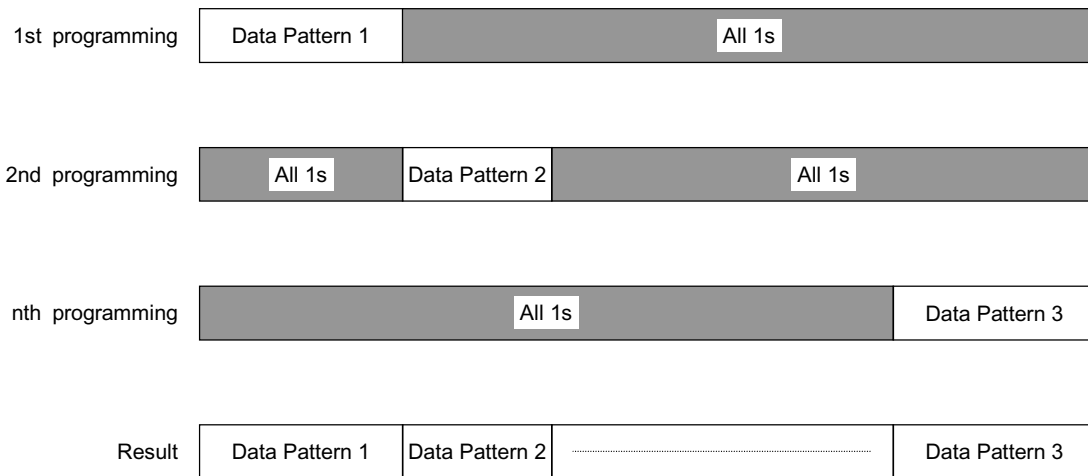


Figure 24.

Note: The input data for unprogrammed or previously programmed page segments must be "1" (i.e. the inputs for all page bytes outside the segment which is to be programmed should be set to all "1").

(13) Note regarding the  $\overline{RE}$  signal

$\overline{RE}$  The internal column address counter is incremented synchronously with the  $\overline{RE}$  clock in Read mode. Therefore, once the device has been set to Read mode by a "00H", "01H" or "50H" command, the internal column address counter is incremented by the  $\overline{RE}$  clock independently of the address input timing. If the  $\overline{RE}$  clock input pulses start before the address input, and the pointer reaches the last column address, an internal read operation (array to register) will occur and the device will enter Busy state. (Refer to Figure 25.)

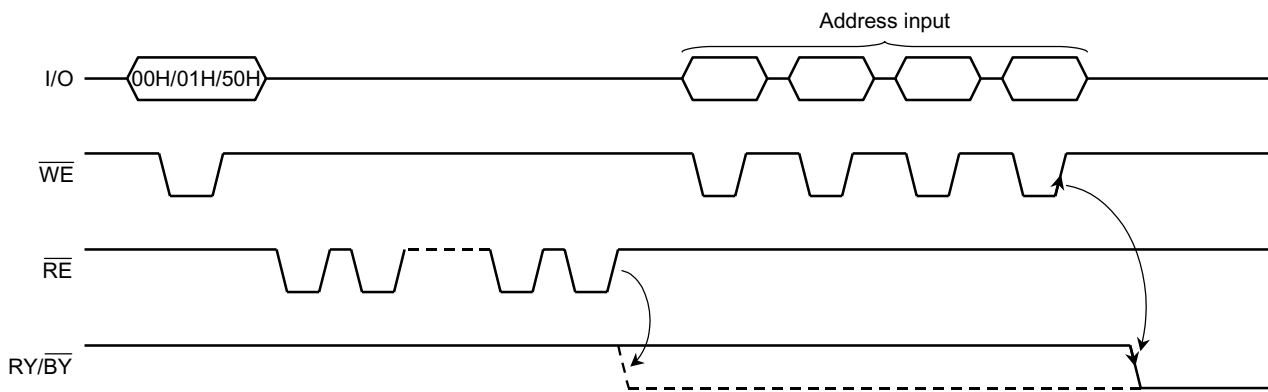


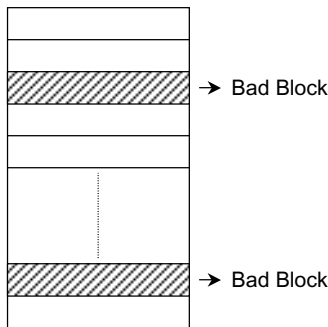
Figure 25.

Hence the  $\overline{RE}$  clock input must start after the address input.



(14) Invalid blocks (bad blocks)

The device contains unusable blocks. Therefore, the following issues must be recognized:



Referring to the Block status area in the redundant area allows the system to detect bad blocks in the accordance with the physical data format issued by the SSFDC Forum. Detect the bad blocks by checking the Block Status Area at the system power-on, and do not access the bad blocks in the following routine.

The number of valid blocks at the time of shipment is as follows:

	MIN	TYP.	MAX	UNIT
Valid (Good) Block Number	8032	—	8192	Block

Figure 26.

(15) Failure phenomena for Program and Erase operations

The device may fail during a Program or Erase operation.

The following possible failure modes should be considered when implementing a highly reliable system.

FAILURE MODE		DETECTION AND COUNTERMEASURE SEQUENCE
Block	Erase Failure	Status Read after Erase → Block Replacement
Page	Programming Failure	Status Read after Program → Block Replacement
Single Bit	Programming Failure 1 → 0	(1) Block Verify after Program → Retry
		(2) ECC

- ECC: Error Correction Code
- Block Replacement

Program

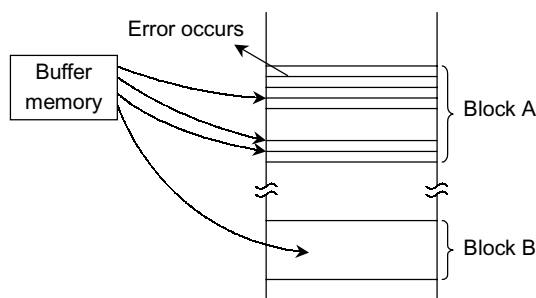


Figure 27.

When an error happens in Block A, try to reprogram the data into another (Block B) by loading from an external buffer. Then, prevent further system accesses to Block A (by creating a bad block table or by using an another appropriate scheme).

Erase

When an error occurs for an Erase operation, prevent future accesses to this bad block (again by creating a table within the system or by using another appropriate scheme).

(16) Chattering of Connector

There may be contact chattering when the device is inserted or removed from a connector.

This chattering may cause damage to the data in the device. Therefore, sufficient time must be allowed for contact bouncing to subside when a system is designed with SmartMedia™.

(17) The device is formatted to comply with the Physical and Logical Data Format of the SSFDC Forum at the time of shipping.

**Handling Precaution**

- (1) Avoid bending or subjecting the card to sudden impact.
- (2) Avoid touching the connectors so as to avoid damage from static electricity.  
This card should be kept in the antistatic film case when not in use.
- (3) Toshiba cannot accept, and hereby disclaims liability for, any damage to the card including data corruption that may occur because of mishandling.

**How to read out unique ID number**

The 128 bit unique ID number is embedded in the device. The procedure to read out the ID number is available using special command which is provided under a non-disclosure agreement.

**SSFDC Forum**

The SSFDC Forum is a voluntary organization intended to promote the SmartMedia™, a small removable NAND flash memory card. The SSFDC Forum standardized the following specifications in order to keep the compatibility of SmartMedia™ in systems. The latest specifications issued by the Forum must be referenced when a system is designed with SmartMedia™, especially with large capacity SmartMedia™.

SmartMedia™	Electrical Specifications
SmartMedia™	Physical Format Specification
SmartMedia™	Logical Format Specification

Some electrical specifications in this data sheet show differences from the Forum's electrical specification. Complying with the Forum's electrical specification maintains compatibility with other SmartMedias.

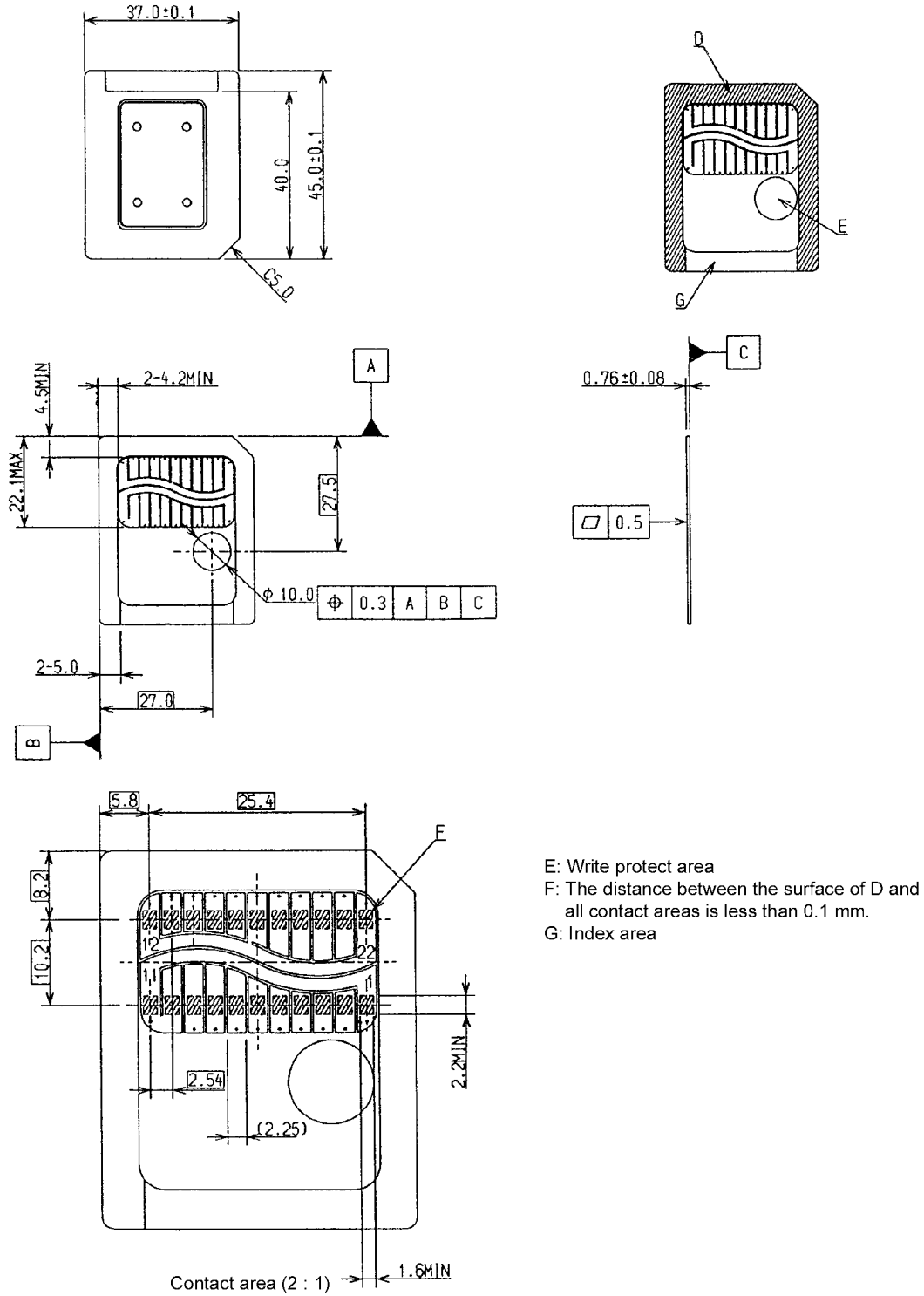
Please refer following SSFDC Forum's URL to get the detailed information of each specification.

**URL** <http://www.ssfdc.or.jp>

## PACKAGE DIMENSIONS

FDC-22C

Unit: mm



E: Write protect area  
 F: The distance between the surface of D and all contact areas is less than 0.1 mm.  
 G: Index area

Weight: 2.2 g (typ.)